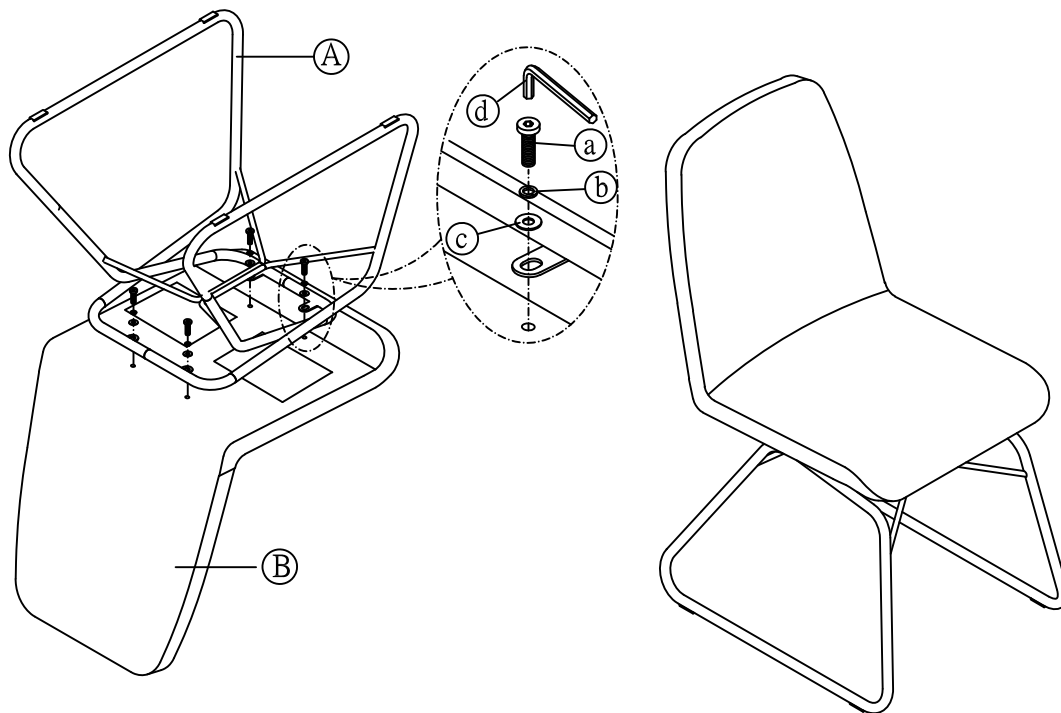




THANK YOU FOR PURCHASING THIS QUALITY PRODUCT.
BE SURE TO CHECK ALL PACKING MATERIAL CAREFULLY FOR SMALL PARTS THAT MAY HAVE COME LOOSE INSIDE THE CARTON DURING TRANSIT.

Step 1

FINISH



PARTS LIST:

NO	DESCRIPTION	SIZE(mm)	SKETCH	QTY
A	BASE			1PC
B	SEAT			1PC

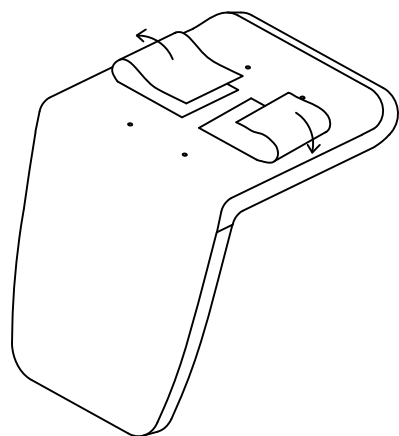
HARDWARE LIST:

NO	DESCRIPTION	SIZE(mm)	SKETCH	QTY
a	BOLT	1/4"*18		4PCS
b	SPRING WASHER	φ11*φ6.5		4PCS
c	WASHER	φ16*φ6.2		4PCS
d	ALLEN KEY	4		1PC

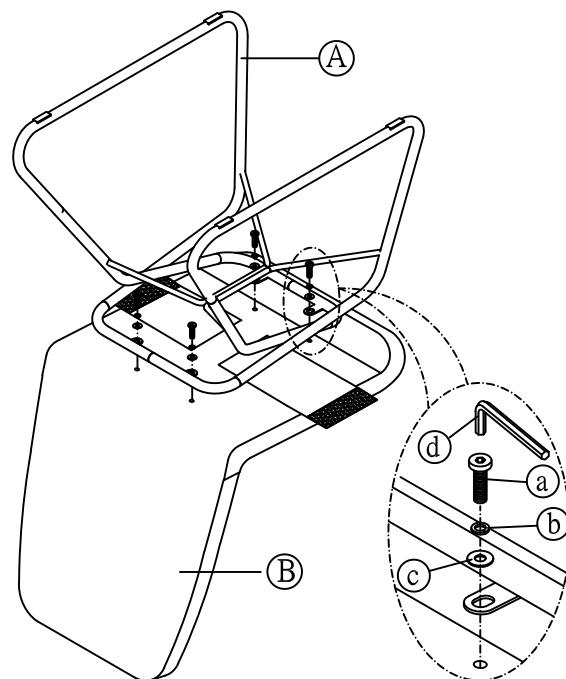


In case younger kid may put fingers inside the swing chair frame, you can use the optional velcro belt underneath the bucket to wrap the frame from any injury.

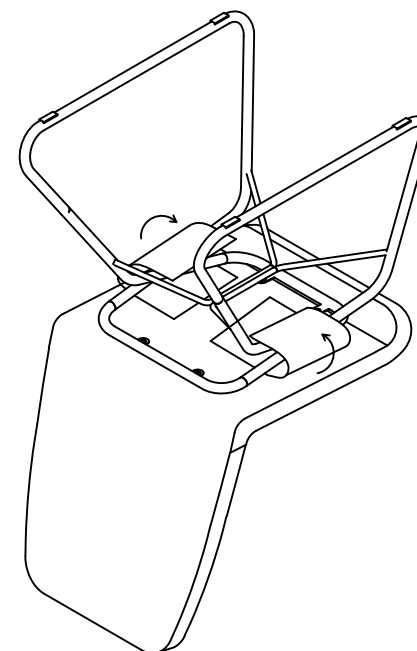
Step 1



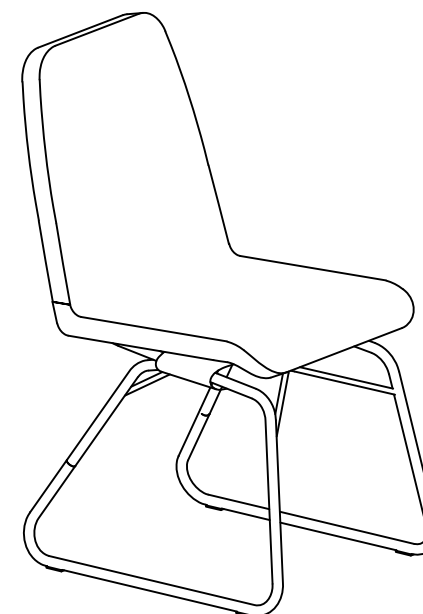
Step 2



Step 3



FINISH

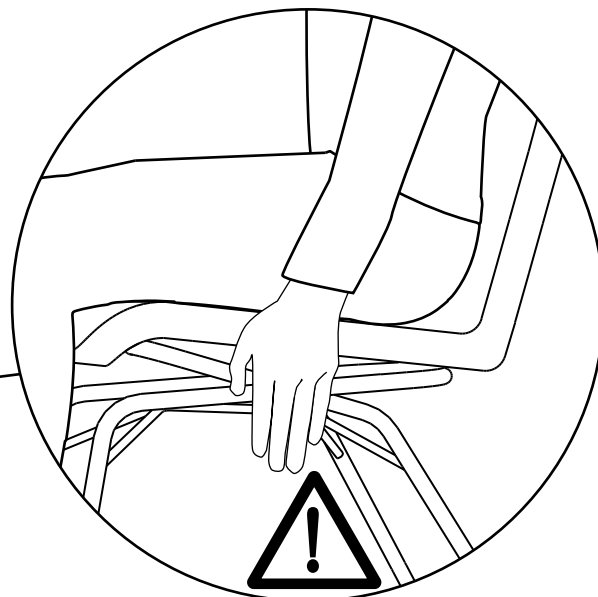
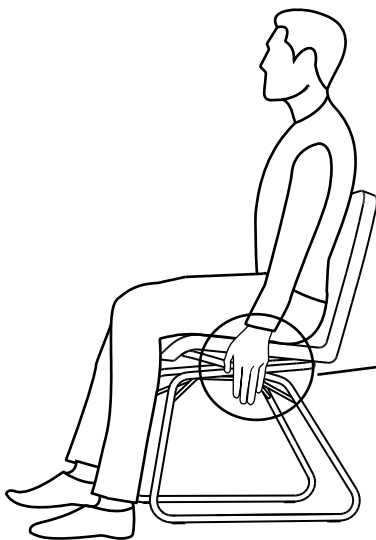




WARNING

Because of the function of the chair, it must be used with caution to prevent falls and injuries. Please follow the basic safety and maintenance instructions listed here may cause product damage or injuries.

- 1.Children should not be left unsupervised sitting on or near chairs.
- 2.Periodically inspect your chair and tighten all screws, nuts and bolts.
- 3.Do not stand on chair.
- 4.Do not touch the side of the frame on both sides.



CAUTION:

DO NOT TOUCH THE SIDE OF THE FRAME ON BOTH SIDES.