



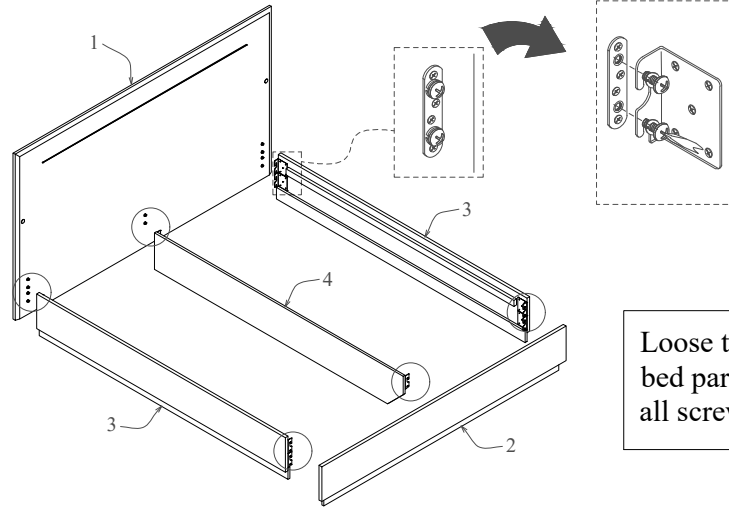
**Chintaly Imports**

# ASSEMBLY INSTRUCTION

ITEM NO: FLORENCE-BED

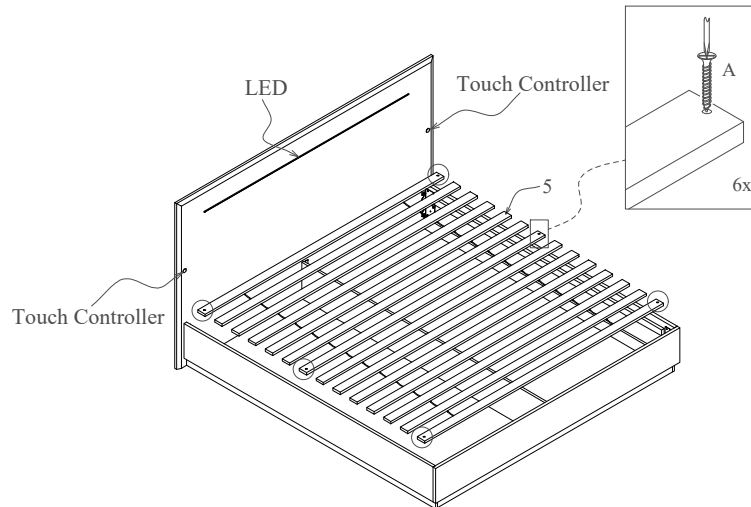
Thank you for purchasing this quality product. Be sure to check all packing material carefully for small parts that may have come loose inside the carton during shipment.

## STEP 1



Loose the screw and install bed part, then tighten all screws.

## STEP 2



## PART LIST

No	DESCRIPTION	SKETCH	QTY
1	Headboard		1pc
2	Footboard		1pc
3	Side Rail		2pcs
4	Center Rail		1pc
5	Slat		1set

## HARDWARE LIST

No	DESCRIPTION	SKETCH	QTY
A	TRUSS HD C/B M4 x 32mm		6pcs
B	JCBC Screw M6 x 15mm		20pcs
C	Spring Washer M8		20pcs
D	Plat		10pcs
E	Phillips screwdriver required		

## Remarks :

Hardware is pre installed on the headboard, footboard, side rail and center rail.

MADE IN MALAYSIA