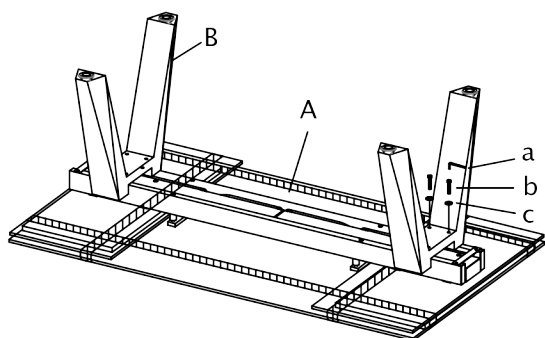




THANK YOU FOR PURCHASING THIS QUALITY PRODUCT.
BE SURE TO CHECK ALL PACKING MATERIAL CAREFULLY FOR SMALL PARTS THAT
MAY HAVE COME LOOSE INSIDE THE CARTON DURING TRANSIT

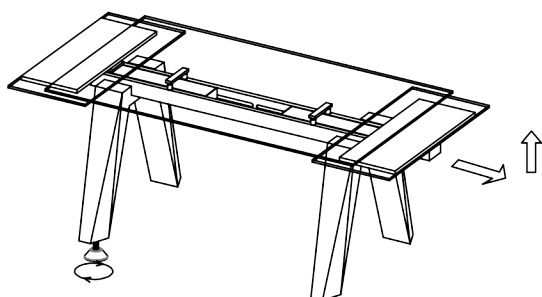
Step1



PART LIST

NO	DESC	SIZE (MM)	SKETCH	QTY
A	TOP	1600(+400*2) *900		1PC
B	LEG	670*800*140		2PCS

Step2

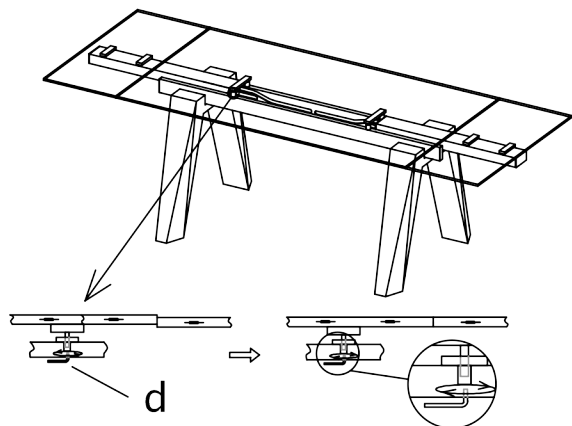


Adjustable

HARDWARE LIST

NO	DESC	SIZE (MM)	SKETCH	QTY
a	SPANNER	6#		1PC
b	SCREW	M8*60		8PCS
c	FLAT WASHER	Ø17*Ø18		8PCS
d	SPANNER	8#		1PC

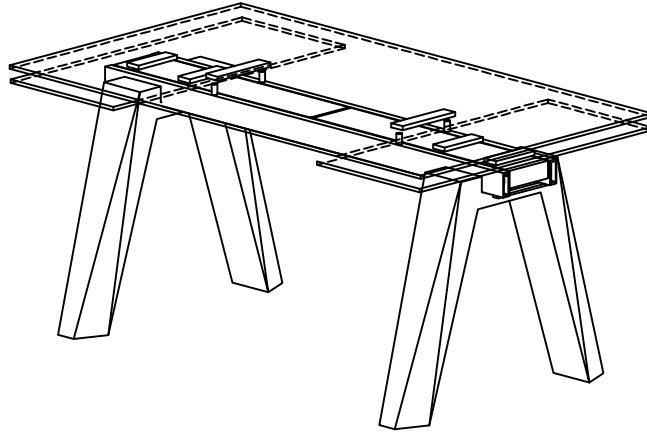
Step3



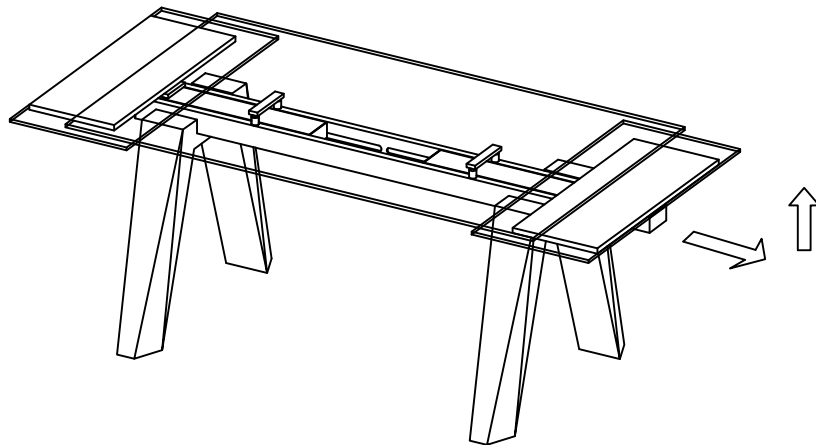
IF THE GLASS TOP NOT LEVELED WELL, PLEASE USE (d) TO LOOSE THE NUT ABOUT 20%, THEN ADJUST SCREW TO LEVEL THE TOPS. THEN FASTHEN THE NUT.

USER MANUAL

1.



2.



Take both extension parts up to open the table

3.

