

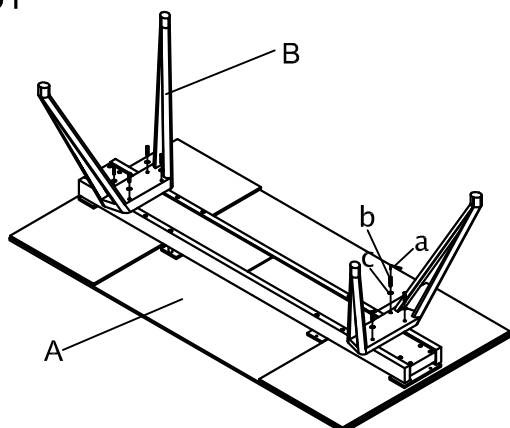


Chintaly Imports

ASSEMBLY INSTRUCTION ITEM NO:ERIKA-DT

THANK YOU FOR PURCHASING THIS QUALITY PRODUCT.
BE SURE TO CHECK ALL PACKING MATERIAL CAREFULLY FOR SMALL PARTS THAT
MAY HAVE COME LOOSE INSIDE THE CARTON DURING TRANSIT

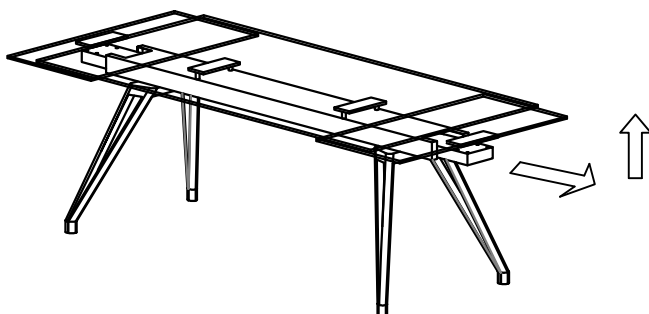
Step1



PART LIST

NO	DESC	SIZE (MM)	SKETCH	QTY
A	TOP	2000(+500*2) *1000		1PC
B	LEG	640*768*300		2PCS

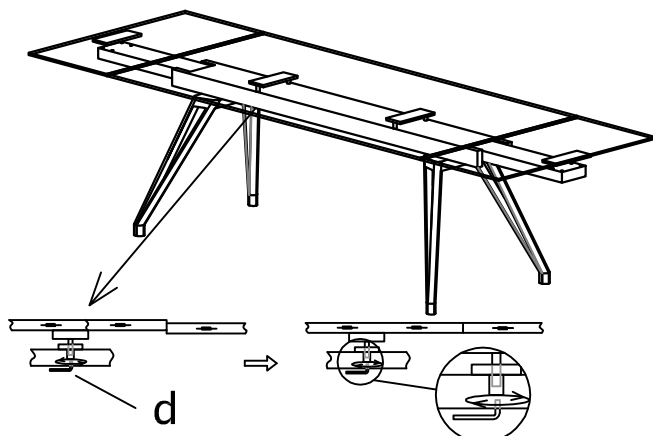
Step2



HARDWARE LIST

NO	DESC	SIZE (MM)	SKETCH	QTY
a	SPANNER	6#		1PC
b	SCREW	M8*60		8PCS
c	FLAT WASHER	Ø17*Ø18		8PCS
d	SPANNER	8#		1PC

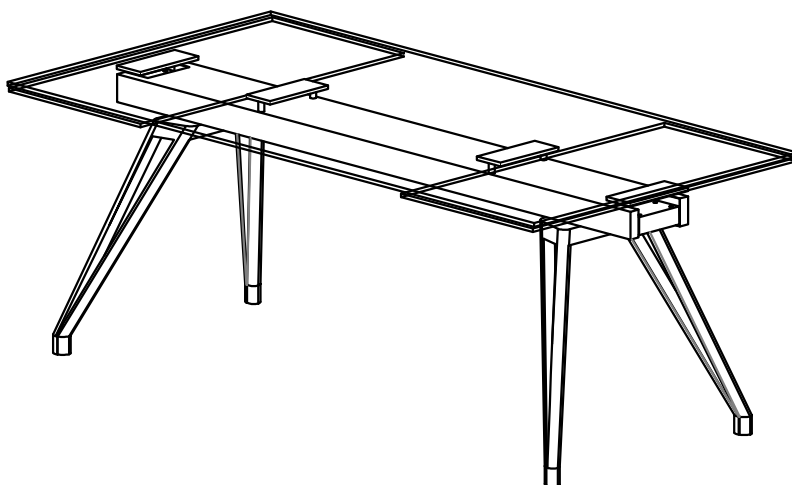
Step3



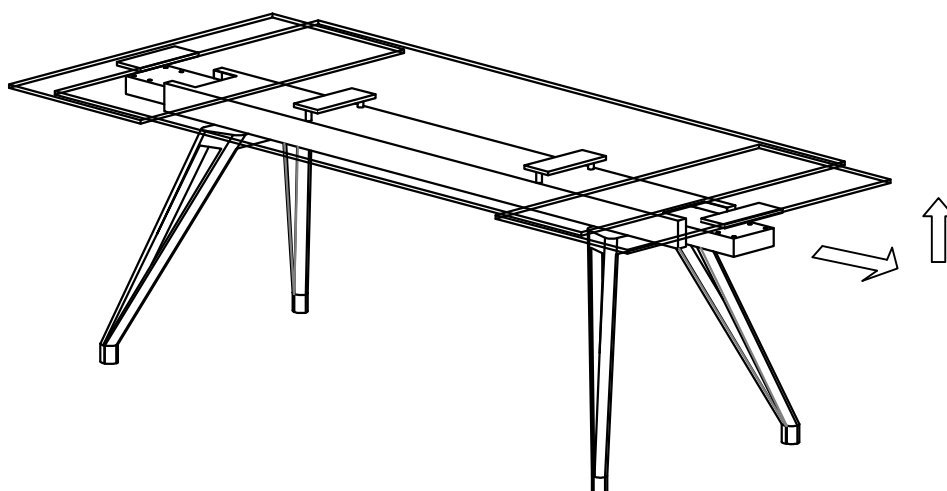
Use Spanner d to turn the screw rod, then adjust screw to make the glass on the flat.
(after adjust please lock the screw rod.)

USER MANUAL

1.



2.



Take both extension parts up to open the table

3.

