







THANK YOU FOR PURCHASING THIS QUALITY PRODUCT.

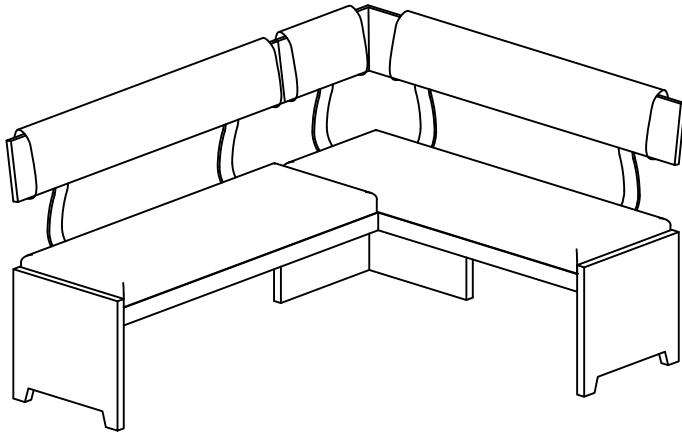
BE SURE TO CHECK ALL PACKING MATERIAL CAREFULLY FOR SMALL PARTS THAT MAY HAVE COME LOOSE INSIDE THE CARTON DURING TRANSIT.

PART LIST

NO	DESC	SIZE (MM)	SKETCH	QTY
A	Seat			1 PC
B	Leg			2 PCS

HARDWARE LIST

NO	DESC	SIZE (MM)	SKETCH	QTY
a	Bolt	8x63.5mm		16PCS
b	Spring Washer	8mm		16PCS
c	Flat Washer	8x22mm		16PCS
d	Allen Key	5mm		1PC



STEP 1

