

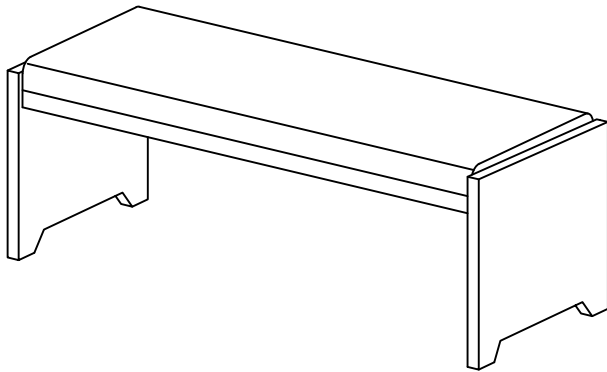


THANK YOU FOR PURCHASING THIS QUALITY PRODUCT.





BE SURE TO CHECK ALL PACKING MATERIAL CAREFULLY FOR SMALL PARTS THAT MAY HAVE COME LOOSE INSIDE THE CARTON DURING TRANSIT.

**PART LIST**

NO	DESC	SIZE (MM)	SKETCH	QTY
A	Seat	1213x457x76mm		1 PC
B	Leg	406x457x30mm		2 PCS



**HARDWARE LIST**

NO	DESC	SIZE (MM)	SKETCH	QTY
a	Bolt	8x63.5mm		8PCS
b	Spring Washer	8mm		8PCS
c	Flat Washer	8x22mm		8PCS
d	Allen Key	5mm		1PC

**STEP 1**

