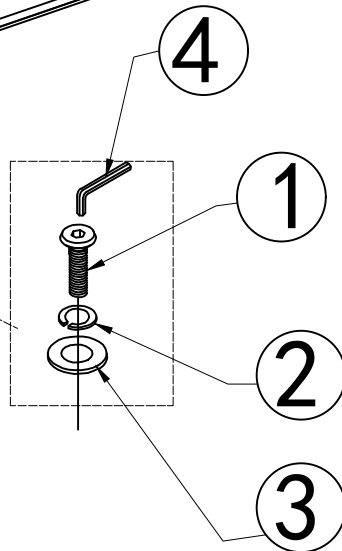
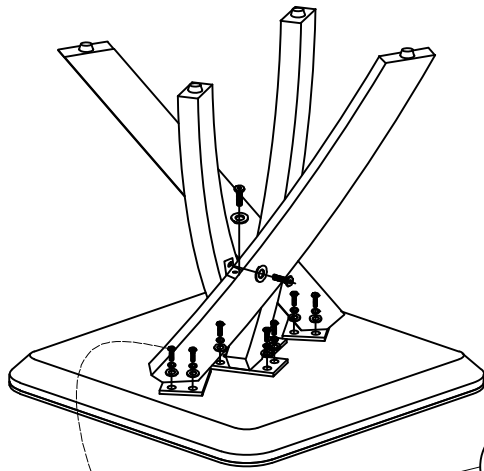




THANK YOU FOR PURCHASING THIS QUALITY PRODUCT.  
BE SURE TO CHECK ALL PACKING MATERIAL CAREFULLY FOR SMALL PARTS THAT MAY HAVE COME LOOSE INSIDE THE CARTON DURING TRANSIT.



PART LIST

| NO | DESC | SIZE (MM)  | SKETCH | QTY |
|----|------|------------|--------|-----|
| A  |      | 500X500X40 |        | 1PC |
| B  |      |            |        | 2PC |
| C  |      |            |        | 2PC |
|    |      |            |        |     |

HARDWARE LIST

| NO | DESC        | SIZE(MM) | SKETCH | QTY   |
|----|-------------|----------|--------|-------|
| 1  | BOLT        | M8x25    |        | 14PCS |
| 2  |             | φ8.3     |        | 14PCS |
| 3  | FLAT WASHER | φ8.3     |        | 14PCS |
| 4  | SPANNER     | 5MM      |        | 1PC   |
| 5  |             |          |        |       |
| 6  |             |          |        |       |

