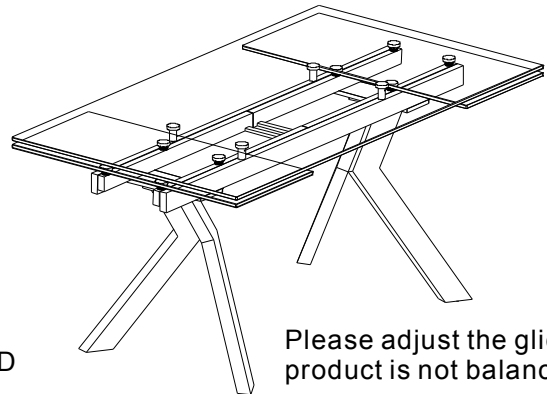
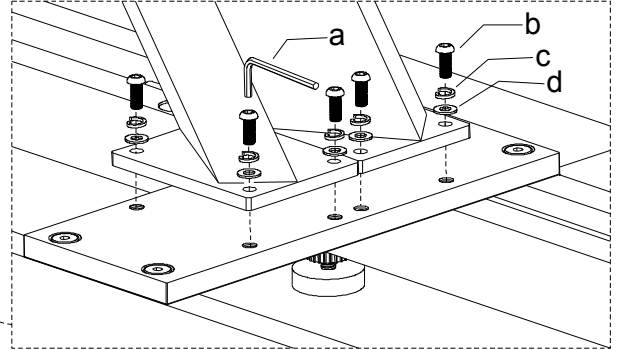
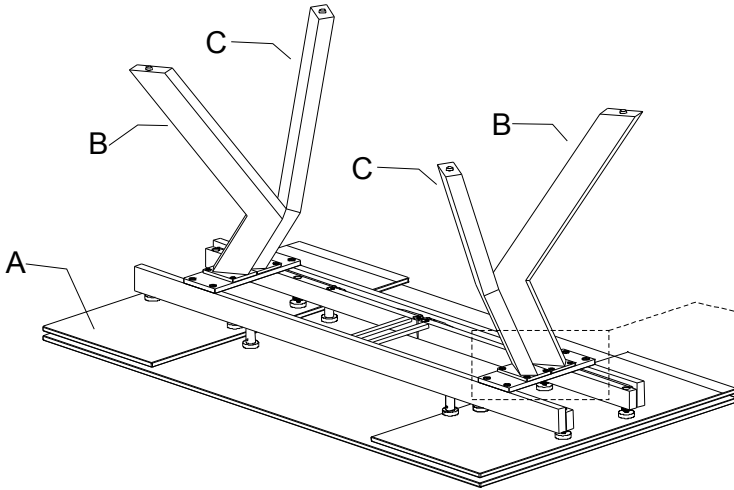


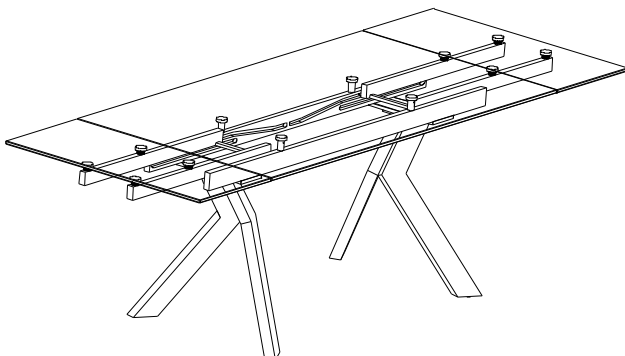
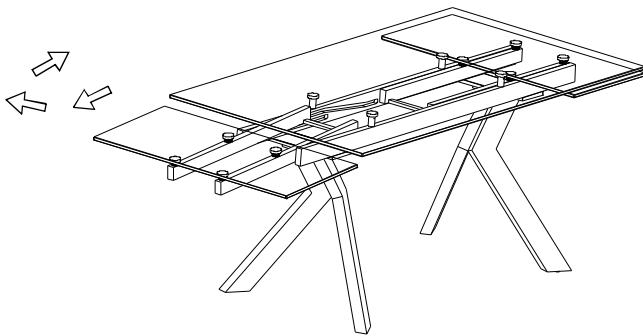


ASSEMBLY INSTRUCTION
ITEM NO.: ELLA-DT

THANK YOU FOR PURCHASING THIS QUALITY PRODUCT.
BE SURE TO CHECK ALL PACKING MATERIAL CAREFULLY FOR SMALL PARTS
THAT MAY HAVE COME LOOSE INSIDE THE CARTON DURING TRANSIT.



FINISHED



PART LIST

NO.	DESC	SIZE(MM)	SKETCH	QTY
A	TOP	1600(2400)* 900*140		1PC
B	LEGS(LEFT)	700*270*120		2PCS
C	LEGS(RIGHT)	700*270*120		2PCS

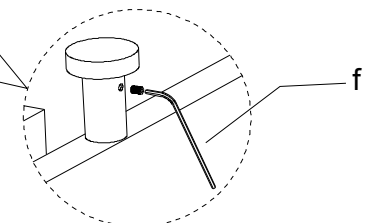
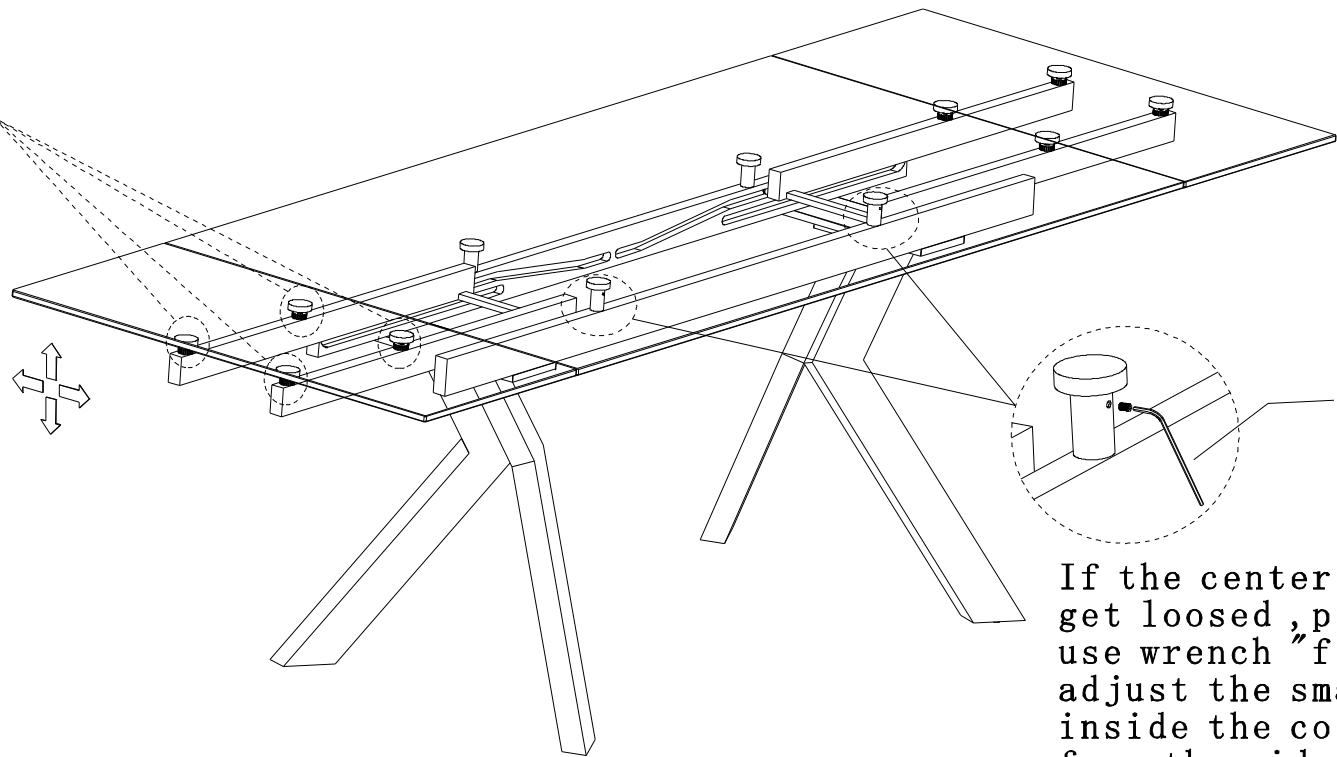
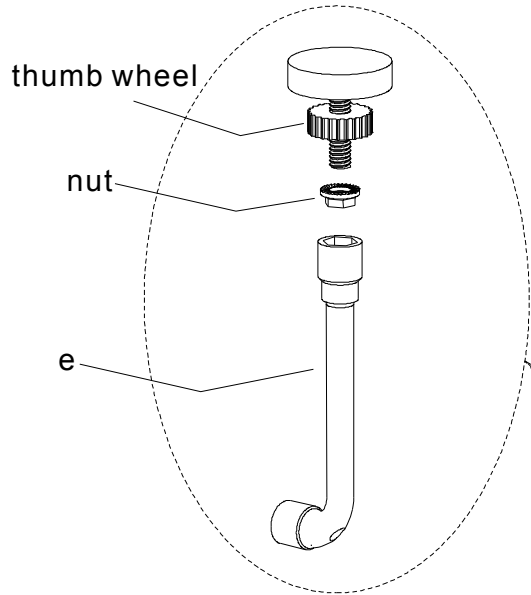
HARDWARE LIST

NO.	DESC	SIZE(MM)	SKETCH	QTY
a	SPANNER	4mm		1PC
b	SCREW	M6*15		12PCS
c	SPRING WASHER	Φ6.1*1.6		12PCS
d	FLAT WASHER	Φ12*Φ6*1mm		12PCS
e	WRENCH	12mm		1PC
f	SPANNER	3mm		1PC
g		30*10mm		4PCS

MADE IN CHINA



If the glass are not aligned well, please use wrench "e" to loose the nut and move the glass a little bit left or right and make it align well.
If the glass are not levelled well, please use wrench "e" to loose the nut and turn the thumb wheel to adjust the glass height.



If the center glass get loosed ,please use wrench "f" to adjust the small bolt inside the column from the side way .