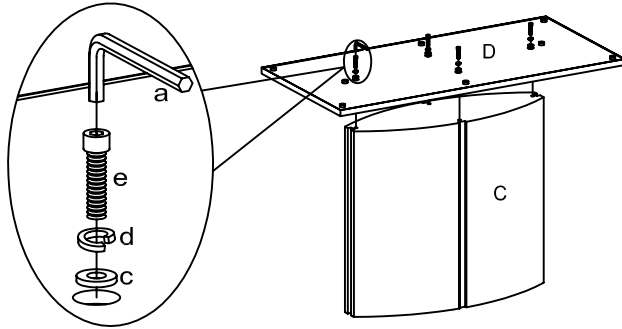




THANK YOU FOR PURCHASING THIS QUALITY PRODUCT.

BE SURE TO CHECK ALL PACKING MATERIAL CAREFULLY FOR SMALL PARTS THAT MAY HAVE COME LOOSE INSIDE THE CARTON DURING TRANSIT.

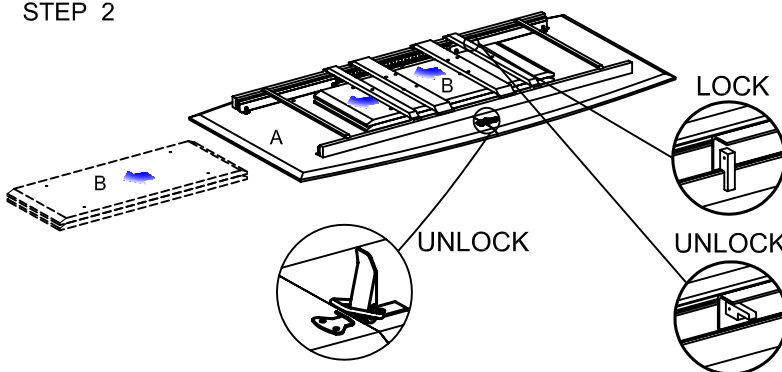
STEP 1



PART LIST

NO	DESC	SIZE (MM)	SKETCH	QTY
A	TOP	2000x1000x137		1PC
B	EXTENSION TOP	1000*400*25		2PCS
C	PEDESTAL	700*250*608		1PC
D	BASE	1040*500*26		1PC

STEP 2

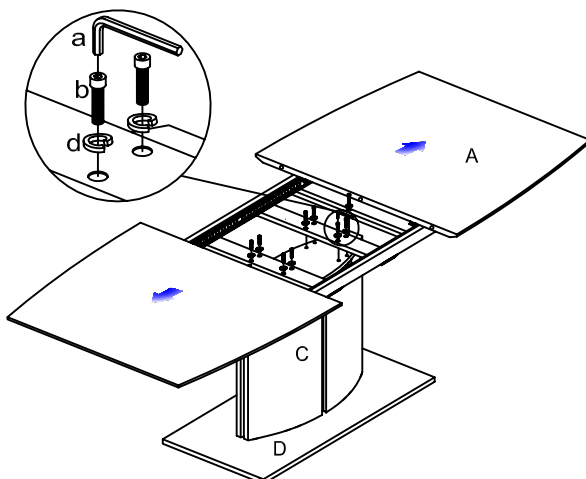


HARDWARE LIST

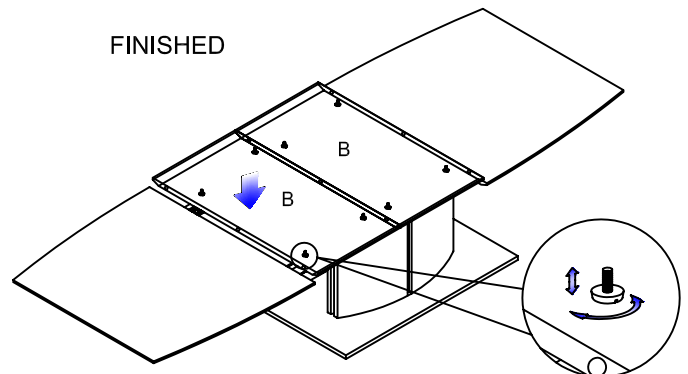
NO	DESC	SIZE (MM)	SKETCH	QTY
a	SPANNER	6MM		1PC
b	SCREW	M8x30		10PCS
c	FLAT	Ø17xØ8x1.5		4PCS
d	SPRING WASHER	Ø13xØ8x2.5		14PCS
e	SCREW	M8x35		4PCS

MAKE SURE THE LATCH AND RAIL ARE LOCKED BEFORE PUT THE TOP ON THE BASE. UNLOCK THE TOPS TO FASTEN THE TOP ON THE BASE.

STEP 3



FINISHED



Unlock the table tops to add the extensions, and lock them all before usage.

Please adjust the glides under the extension if the top is not leveled well.