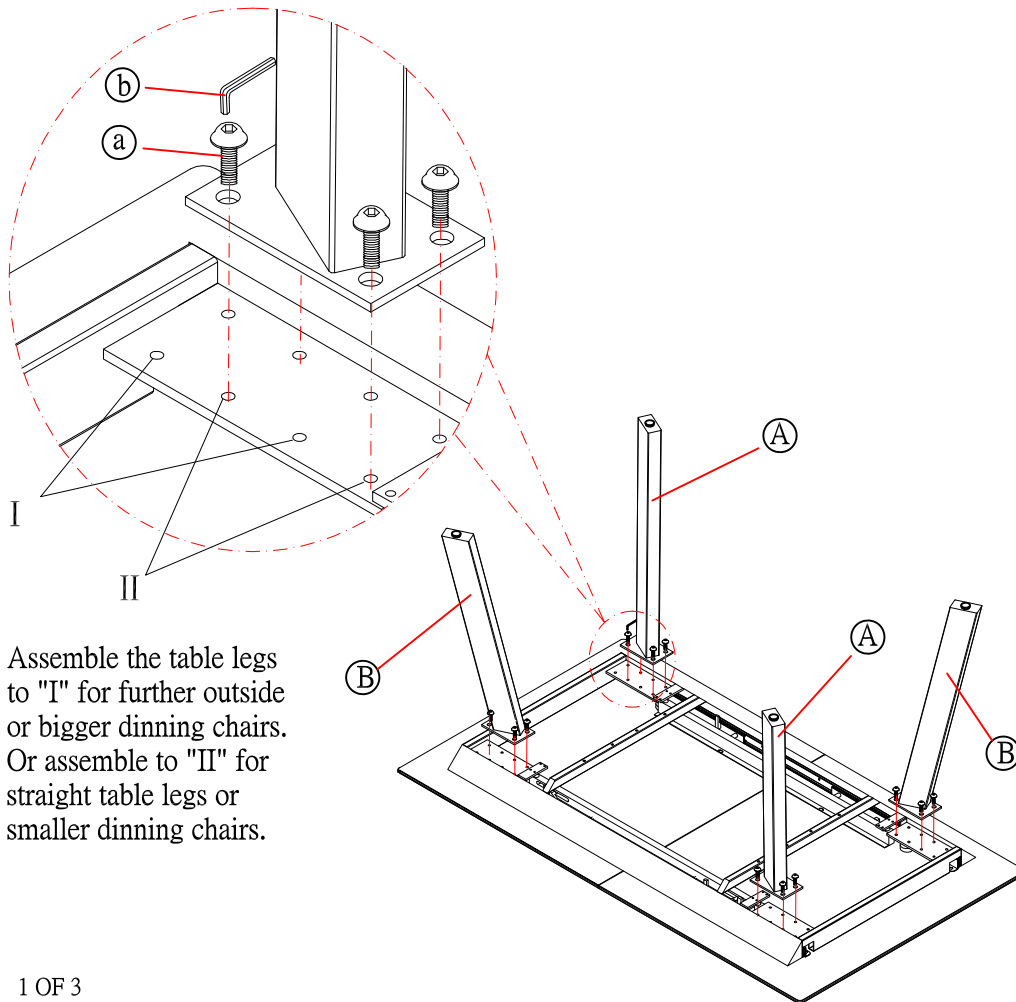




THANK YOU FOR PURCHASING THIS QUALITY PRODUCT.




BE SURE TO CHECK ALL PACKING MATERIAL CAREFULLY FOR SMALL PARTS THAT MAY HAVE COME LOOSE INSIDE THE CARTON DURING TRANSIT.

Step 1



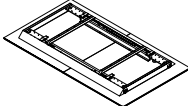


Assemble the table legs to "I" for further outside or bigger dinning chairs. Or assemble to "II" for straight table legs or smaller dinning chairs.

HARDWARE LIST:

NO	DESCRIPTION	SIZE(mm)	SKETCH	QTY
a	BOLT	M8*16		16PCS
b	ALLEN KEY	4		1PC
c	ALLEN KEY	8		1PC

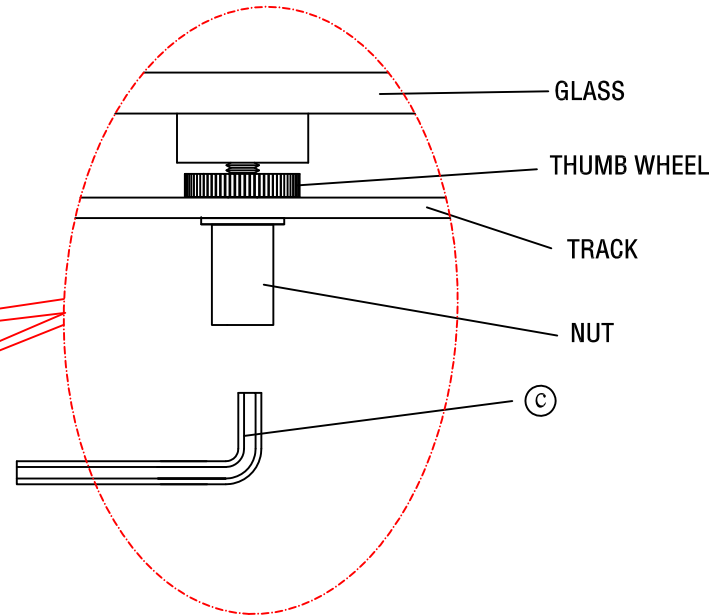
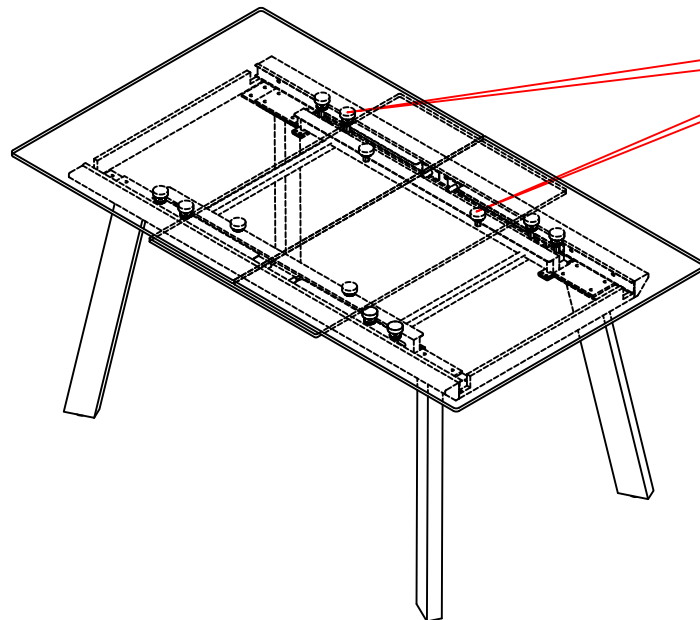
PARTS LIST:

NO	DESCRIPTION	SIZE(mm)	SKETCH	QTY
A	LEG	40*80		2PCS
B	LEG	40*80		2PCS
C	CERAMIC GLASS TOP	(1600— 2200)*900		1PC



Step 2

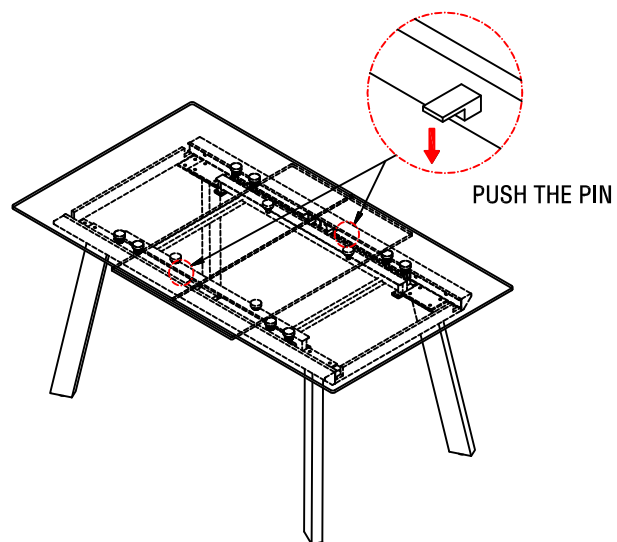
Pay attention: Please hold the top frame when move the table, not just the glass top.



- A IF THE GLASS TOPS ARE NOT LEVELED WELL , PLEASE USE (C) TO LOOSE THE NUT, AND TURN THE THUMB WHEEL TO LEVEL THE TOPS.
- B IF THE GLASS TOPS ARE NOT ALIGNED WELL , PLEASE USE (C) TO LOOSE THE NUT, AND MOVE THE TOP A LITTLE BIT TO ALIGN THE TOPS.



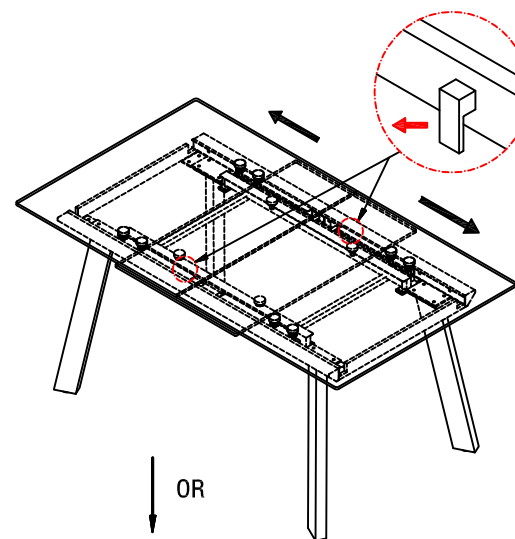
FOLDED USE (1/2)



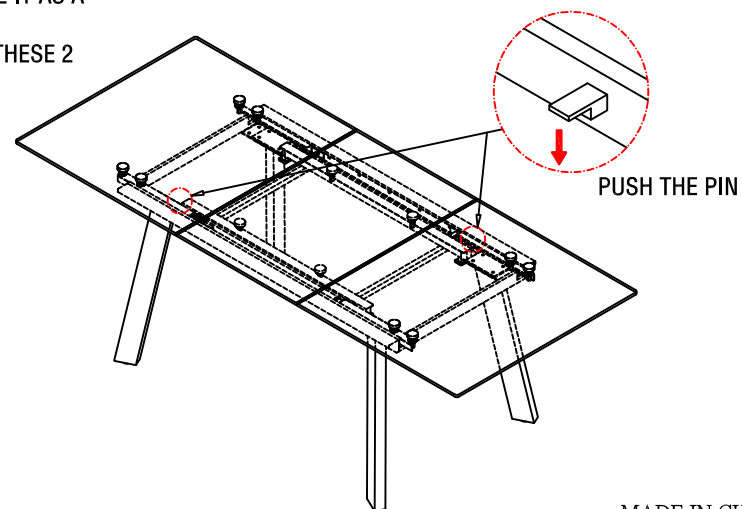
REMINDER:
WHEN YOU USE IT AS A
FOLDED SIZE,
PLEASE LOCK THESE 2
LOCKS

EXTENDED USE (2/2)

UNLOCK THE 2 LOCKS
BEFORE OPEN THE TOP



OR



REMINDER:
WHEN YOU USE IT AS A
FOLDED SIZE,
PLEASE LOCK THESE 2
LOCKS