

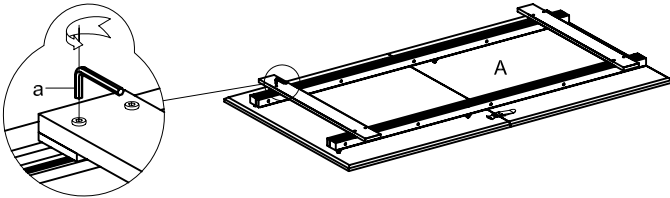


THANK YOU FOR PURCHASING THIS QUALITY PRODUCT.

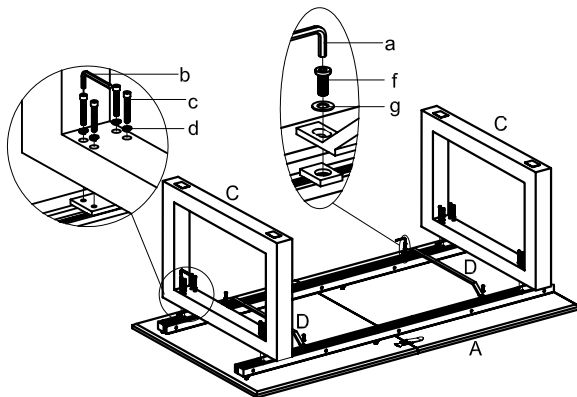
BE SURE TO CHECK ALL PACKING MATERIAL CAREFULLY FOR SMALL PARTS THAT MAY HAVE COME LOOSE INSIDE THE CARTON DURING TRANSIT.

STEP 1

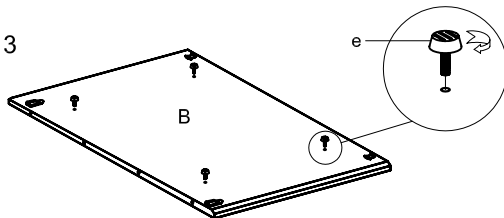
REMOVE THE POSITION SLATS



STEP 2



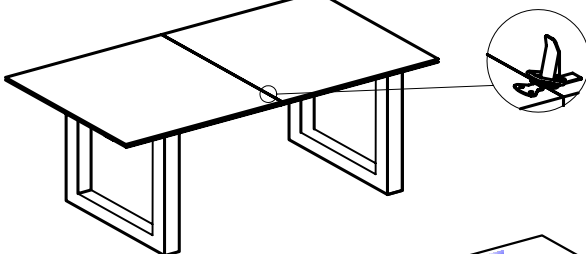
STEP 3



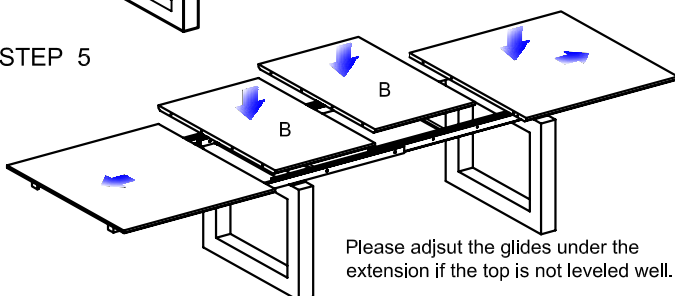
STEP 4

Unlock the table tops to add the extensions, and lock them all before usage.

UNLOCK



STEP 5



STEP 6. Store the extensions at the rack underneath the tops.

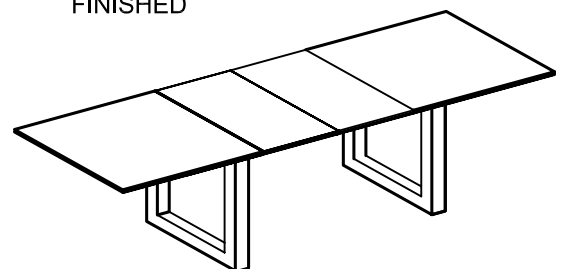
PART LIST

NO	DESC	SIZE (MM)	SKETCH	QTY
A	TOP	2000x1100x110		1PC
B	EXTENSION TOP	1100*500*25		2PCS
C	LEG	900*650*80		2PCS
D	CONNECT BAR	632*35*20		2PCS

HARDWARE LIST

NO	DESC	SIZE (MM)	SKETCH	QTY
a	SPANNER	5MM		1PC
b	SPANNER	6MM		1PC
c	SCREW	M8x80		16PCS
d	SPRING WASHER	Ø8		16PCS
e	ADJUST GLIDE	Ø22*7/M6*25		8PCS
f	SCREW	M8x16		4PCS
g	FLAT WASHER	Ø17xØ8x1.5		4PCS

FINISHED



MADE IN CHINA