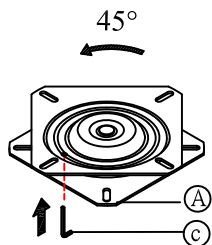
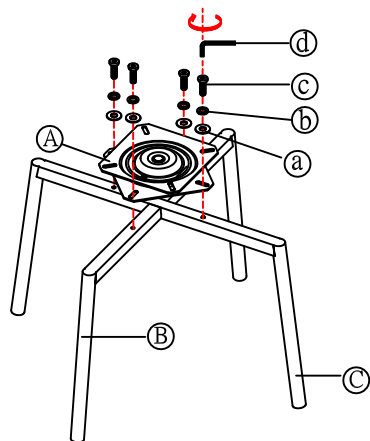




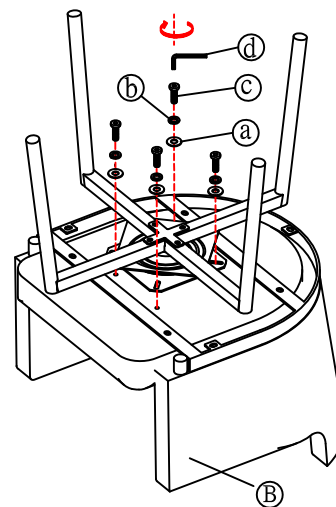
### Step 1



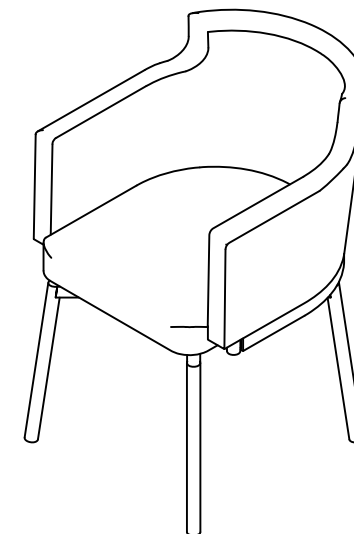
### Step 3



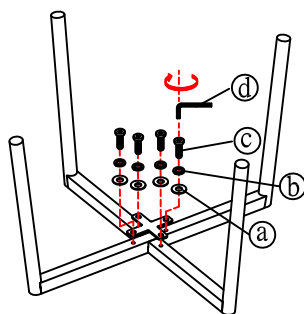
### Step 4



### FINISH



### Step 2



#### PARTS LIST:

NO	DESCRIPTION	SKETCH	QTY
A	SWIVEL		1PC
B	LEG		1PC
C	LEG		1PC
D	SEAT		1PC
E	CORNER BRACKET		1PC

#### HARDWARE LIST:

NO	DESCRIPTION	SKETCH	QTY
a	WASHER		12PCS
b	SPRING WASHER		12PCS
c	BOLT		12PCS
d	ALLEN KEY		2PCS