



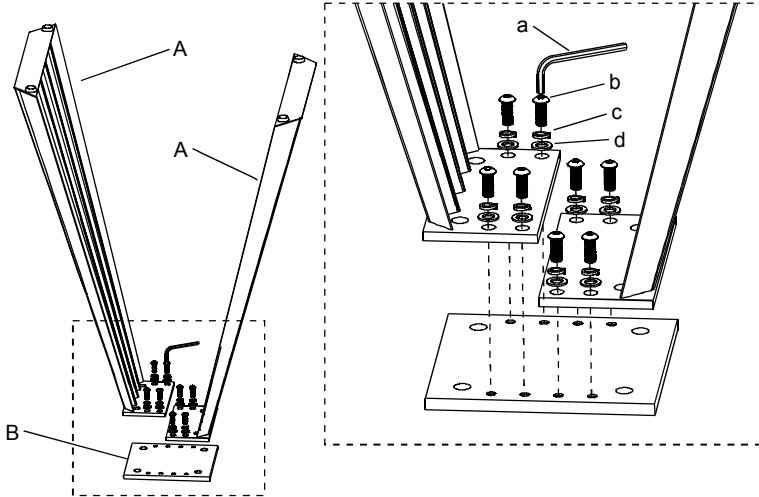
Chintaly Imports.

ASSEMBLY INSTRUCTION
ITEM NO.:ET/CT/ST

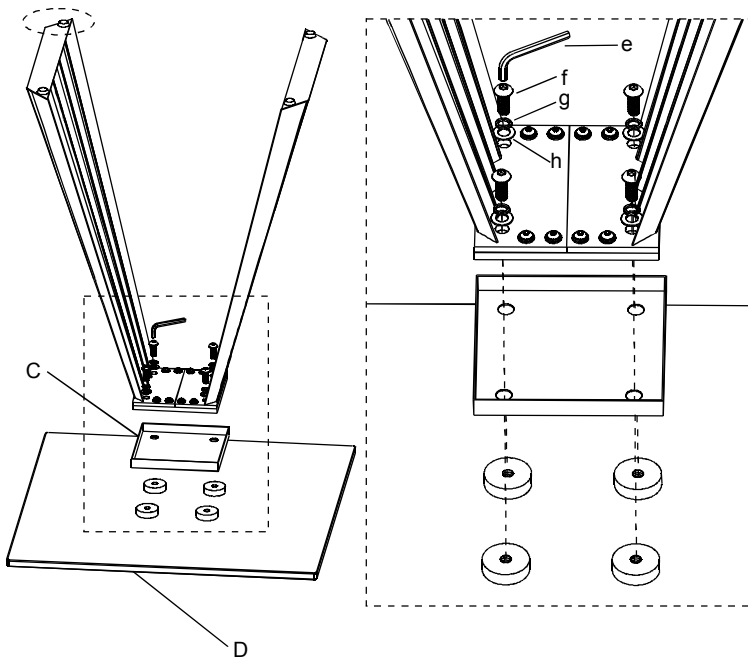
THANK YOU FOR PURCHASING THIS QUALITY PRODUCT.

BE SURE TO CHECK ALL PACKING MATERIAL CAREFULLY FOR SMALL PARTS

THAT MAY HAVE COME LOOSE INSIDE THE CARTON DURING TRANSIT.



Please adjust the glides if the product is not balanced well.

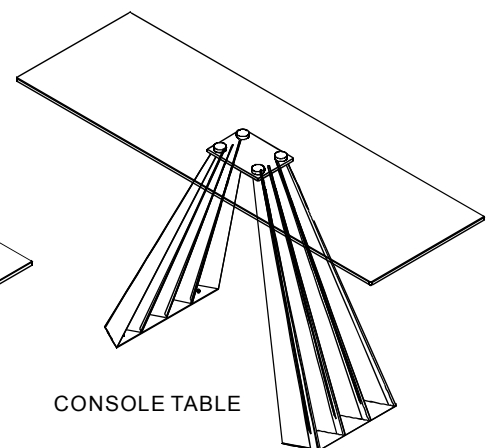
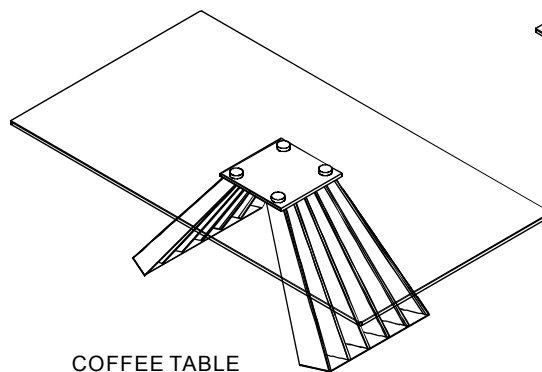
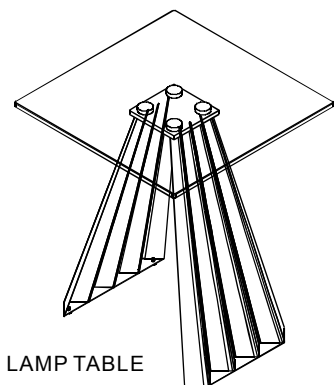


PART LIST

NO.	DESC	SKETCH	QTY
A	LEGS		2PCS
B	CONNECTOR		1PC
C	CAP		1PC
D	TOP		1PC

HARDWARE LIST

NO.	DESC	SIZE(MM)	SKETCH	QTY
a	SPANNER	4mm		1PC
b	SCREW	M6*15		8PCS
c	SPRING WASHER	Φ10*Φ7*1.5		8PCS
d	FLAT WASHER	Φ12*Φ7*1mm		8PCS
e	SPANNER	5mm		1PC
f	SCREW	M8*20		4PCS
g	SPRING WASHER	Φ12*Φ9*1.5		4PCS
h	FLAT WASHER	Φ16*Φ9*1mm		4PCS



MADE IN CHINA