
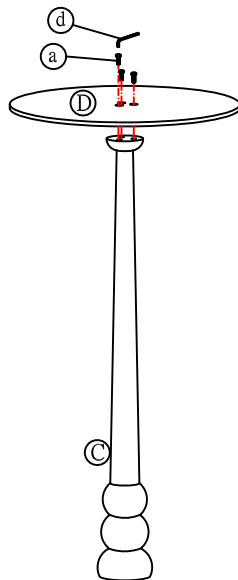


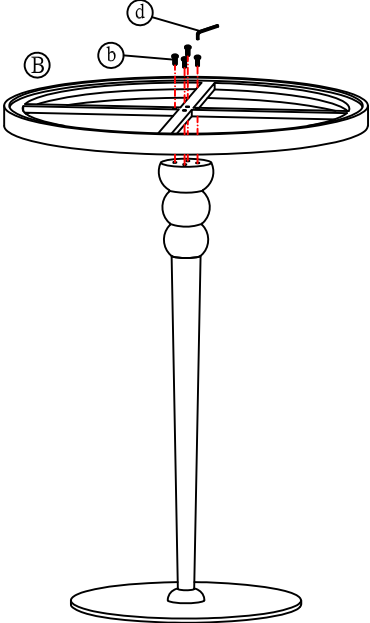
HARDWARE LIST:

NO	DESCRIPTION	SIZE(mm)	SKETCH	QTY
a	BOLT	M8x20		3PCS
b	BOLT	M8x20		4PCS
c	SUCKER	φ12		4PCS
d	ALLEN KEY	5		1PC

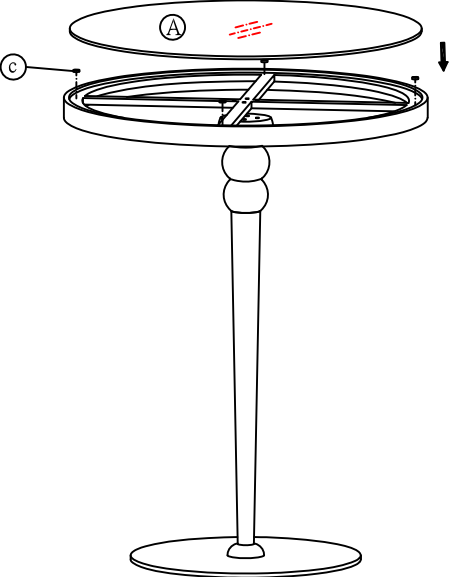
Step 1



Step 2



Step 3



FINISH

