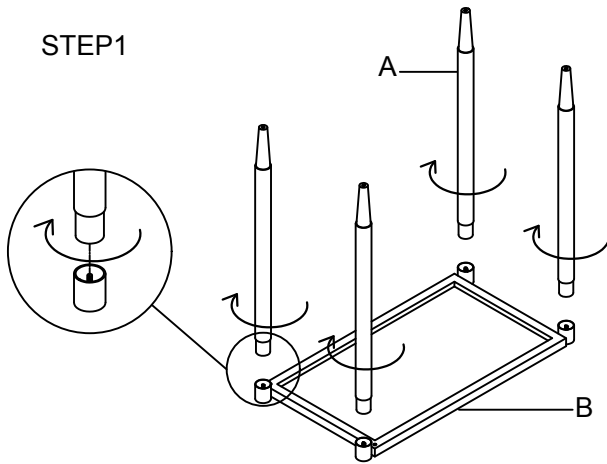




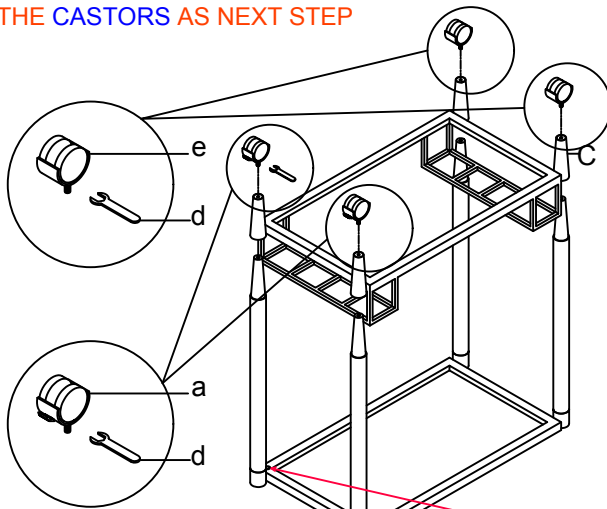
THANK YOU FOR PURCHASING THIS QUALITY PRODUCT
BE SURE TO CHECK ALL PACKING MATERIAL CAREFULLY FOR SMALL PARTS THAT MAY HAVE COME LOOSE INSIDE
THE CARTON DURING TRANSIT.

THIS CART REQUIRES 2 PEOPLE TO ASSEMBLE.

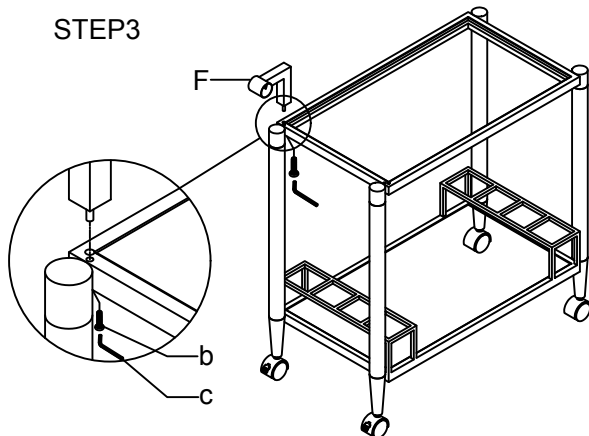
PART LIST



STEP2: MAKE SURE TO PRESS ACRYLIC POLES EVENLY INTO THE BASE FRAME, AND ALL THE TAPERED ACRYLIC ENDS SHOULD BE SUNK INTO THE BASE FRAME. SCREW ON THE CASTORS AS NEXT STEP



ASSEMBLE THE CASTORS WITH BRAKE AT THE SIDE OF HANDLE SIDE. THE HOLE SIDE AS HANDLE SIDE



NO	DESC	SIZE (MM)	SKETCH	QTY
A	LEG	Ø40*690		4 PC
B	TOP FRAME	770*402*47		1 PC
C	BASE FRAME	770*402*220		1 PC
D	TOP GLASS	640*352*10		1 PC
E	BOTTOM MIRROR	640*352*10		1 PC
F	HANDLE FRAME-L	110*125*47		1 PC
G	HANDLE FRAME-R	110*125*47		1 PC
H	HANDLE	Ø40*396		1 PC

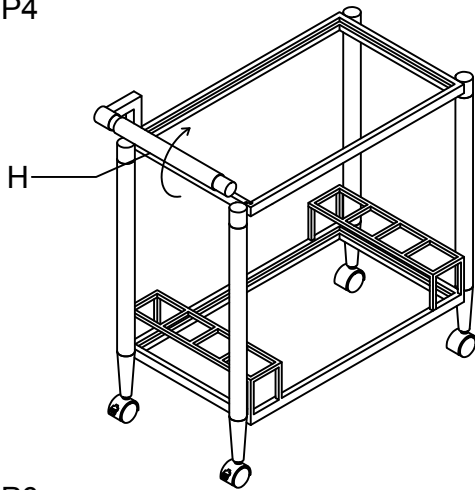
HARDWARE LIST

NO	DESC	SIZE (MM)	SKETCH	QTY
a	castor w/ break	Ø2**50*m8		2 PC
b	screw	m6*35		2 PC
c	allenkey	m6*50		1 PC
d	wrench	m8*50		1 PC
e	castor w/o break	Ø2**50*m8		2 PC

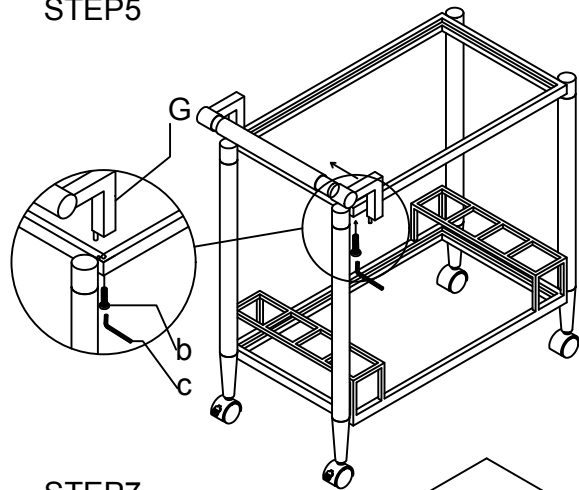


THANK YOU FOR PURCHASING THIS QUALITY PRODUCT
BE SURE TO CHECK ALL PACKING MATERIAL CAREFULLY FOR SMALL PARTS THAT MAY HAVE COME LOOSE INSIDE
THE CARTON DURING TRANSIT.

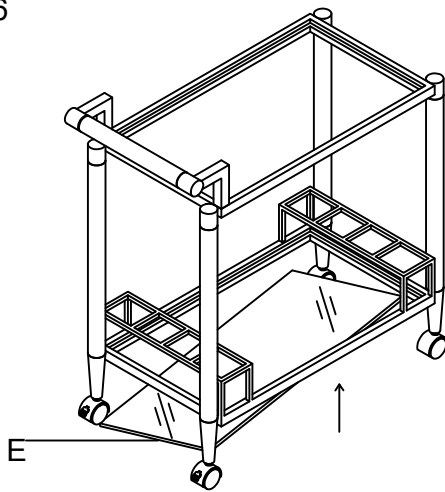
STEP4



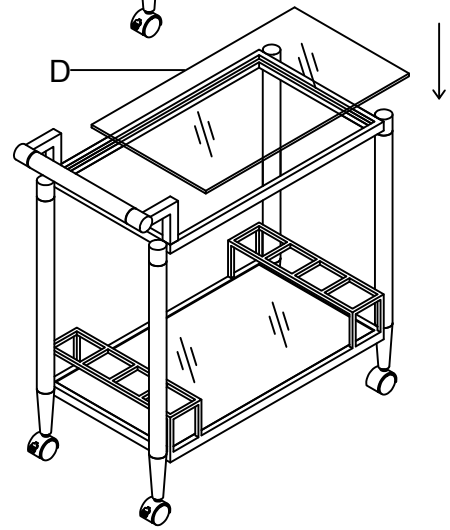
STEP5



STEP6



STEP7



FINISHED

