



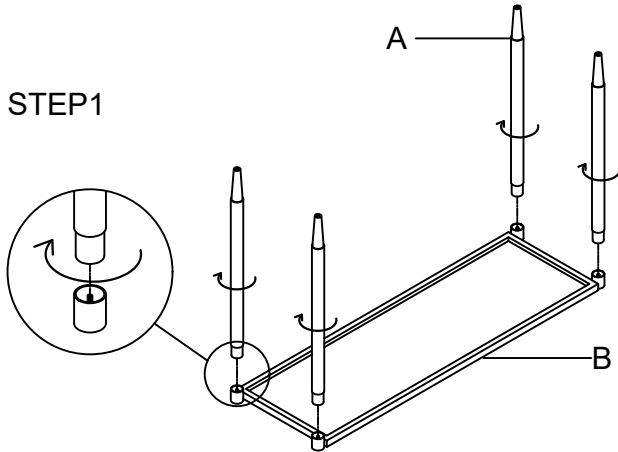
Chintaly Imports

ASSEMBLY INSTRUCTION ITEM NO: DENALI-ST

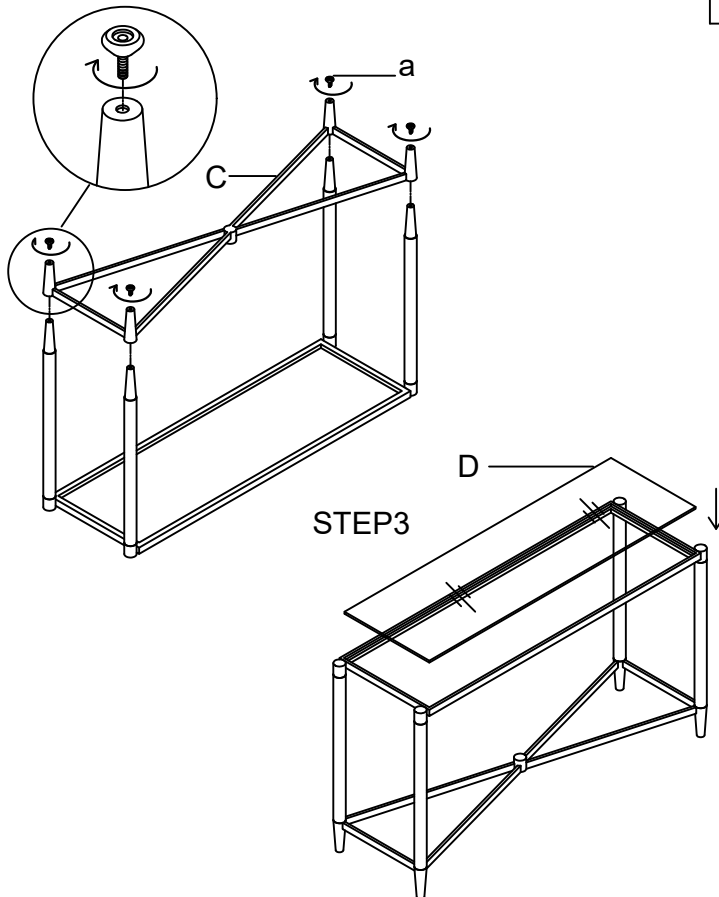
THANK YOU FOR PURCHASING THIS QUALITY PRODUCT
BE SURE TO CHECK ALL PACKING MATERIAL CAREFULLY FOR SMALL PARTS THAT MAY HAVE COME LOOSE INSIDE THE CARTON DURING TRANSIT.

THIS TABLE REQUIRES 2 PEOPLE TO ASSEMBLE.

STEP1



STEP2: MAKE SURE TO PRESS ACRYLIC POLES EVENLY INTO THE BASE FRAME, AND ALL THE TAPERED ACRYLIC ENDS SHOULD BE SUNK INTO THE BASE FRAME. SCREW ON THE ADJUSTABLE GLIDES AS NEXT STEP.



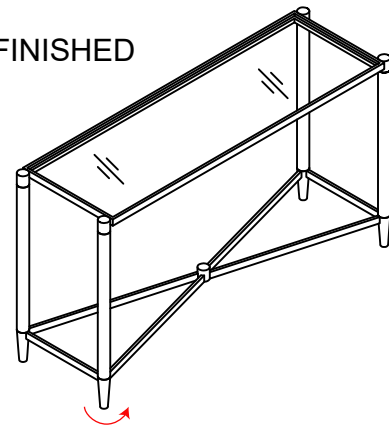
PART LIST

NO	DESC	SIZE (MM)	SKETCH	QTY
A	LEG	Ø40*735		4 PC
B	TOP FRAME	1320*406*47		1 PC
C	BASE FRAME	1320*406*120		1 PC
D	GLASS	1220*386*10		1 PC

HARDWARE LIST

NO	DESC	SIZE (MM)	SKETCH	QTY
a	glide	Ø25*25*m8		4 PC

FINISHED



ADJUST THE GLIDES TO LEVEL THE TABLE IF NEEDED.