



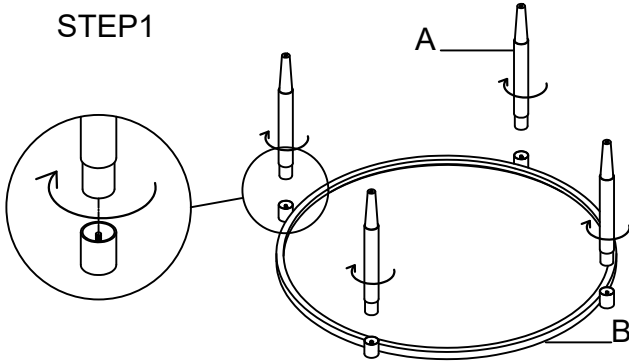
Chintaly Imports

ASSEMBLY INSTRUCTION ITEM NO: DENALI-CT-RND

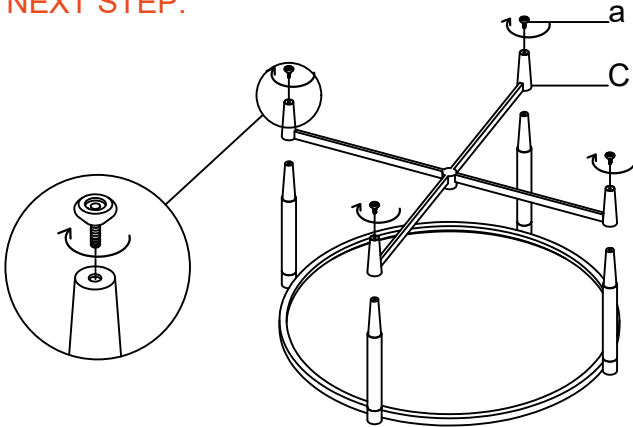
THANK YOU FOR PURCHASING THIS QUALITY PRODUCT
BE SURE TO CHECK ALL PACKING MATERIAL CAREFULLY FOR SMALL PARTS THAT MAY HAVE COME LOOSE INSIDE
THE CARTON DURING TRANSIT.

THIS TABLE REQUIRES 2 PEOPLE TO ASSEMBLE.

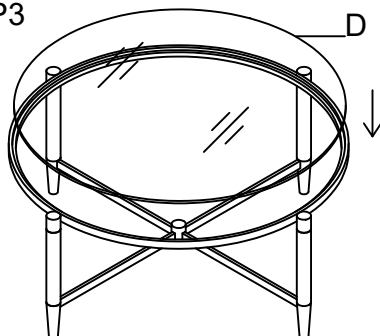
STEP1



**STEP2: MAKE SURE TO PRESS ACRYLIC
POLES EVENLY INTO THE BASE FRAME,
AND ALL THE TAPERED ACRYLIC ENDS
SHOULD BE SUNK INTO THE BASE FRAME.
SCREW ON THE ADJUSTABLE GLIDES AS
NEXT STEP.**



STEP3



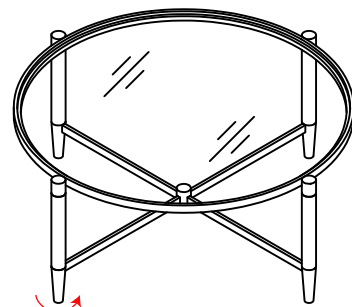
PART LIST

NO	DESC	SIZE (MM)	SKETCH	QTY
A	LEG	Ø40*395		4 PC
B	TOP FRAME	1016*1016*47		1 PC
C	BASE FRAME	1016*1016*120		1 PC
D	GLASS	Ø916*10		1 PC

HARDWARE LIST

NO	DESC	SIZE (MM)	SKETCH	QTY
a	glide	Ø25*25*m8		4 PC

FINISHED



**ADJUST THE GLIDES
TO LEVEL THE TABLE IF NEEDED.**