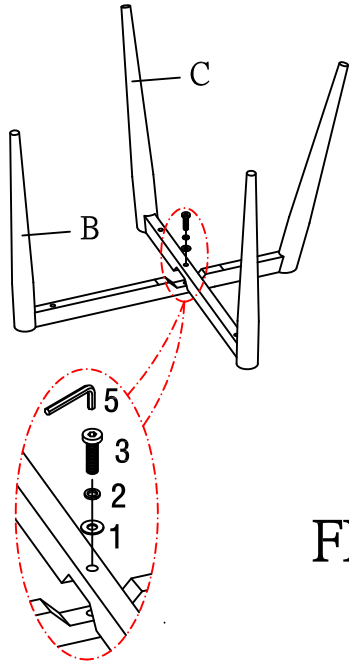


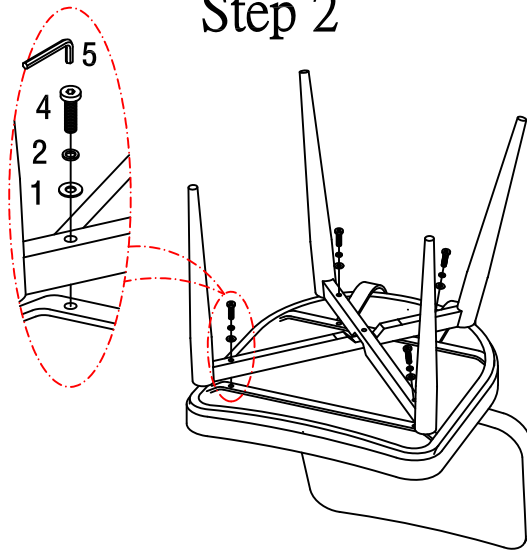


THANK YOU FOR PURCHASING THIS QUALITY PRODUCT.
BE SURE TO CHECK ALL PACKING MATERIAL CAREFULLY FOR SMALL PARTS THAT MAY HAVE COME LOOSE INSIDE THE CARTON DURING TRANSIT.

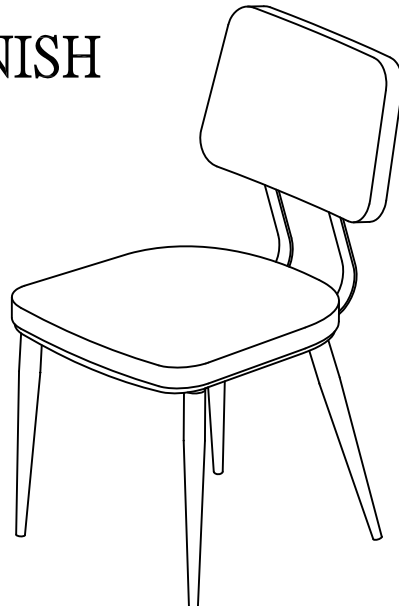
Step 1



Step 2



FINISH



PARTS LIST:

NO	DESCRIPTION	SIZE(mm)	SKETCH	QTY
A	BUCKET	450x580x450		1PC
B	LEG	654x415		1PC
C	LEG	654x415		1PC

HARDWARE LIST:

NO	DESCRIPTION	SIZE(mm)	SKETCH	QTY
1	WASHER	1/4"		5PCS
2	SPRING WASHER	1/4"		5PCS
3	BOLT	1/4"x30		1PC
4	BOLT	1/4"x45		4PCS
5	ALLEN KEY	4		1PC