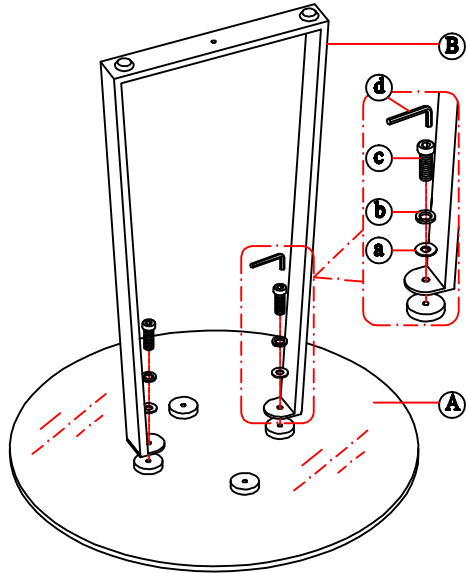
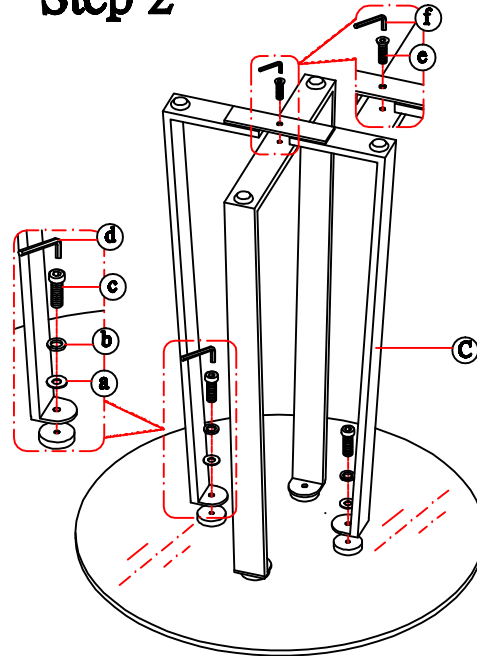




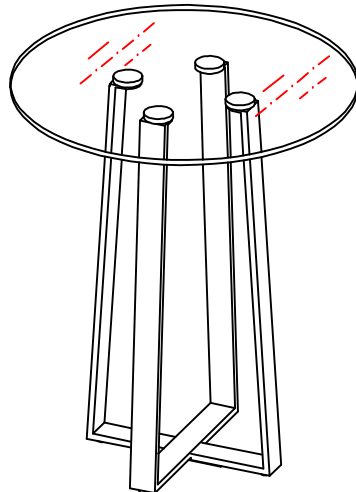
Step 1



Step 2



FINISH



PLEASE ADJUST THE GLIDES
IF THE TABLE IS NOT
BALANCED WELL.

PARTS LIST:

NO	DESCRIPTION	SKETCH	QTY
A	GLASS		1PC
B	LEG 1		1PC
C	LEG 2		1PC

HARDWARE LIST:

NO	DESCRIPTION	SKETCH	QTY
a	WASHER		4PCS
b	SPRING WASHER		4PCS
c	LARGE BOLT		4PCS
d	ALLEN KEY 5mm		1PC
e	SMALL BOLT		1PC
f	ALLEN KEY 4mm		1PC