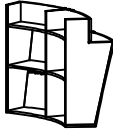








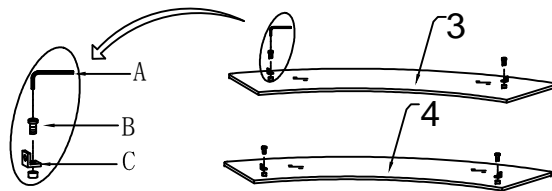


Assembly Instruction MODEL : BROADWAY-BAR

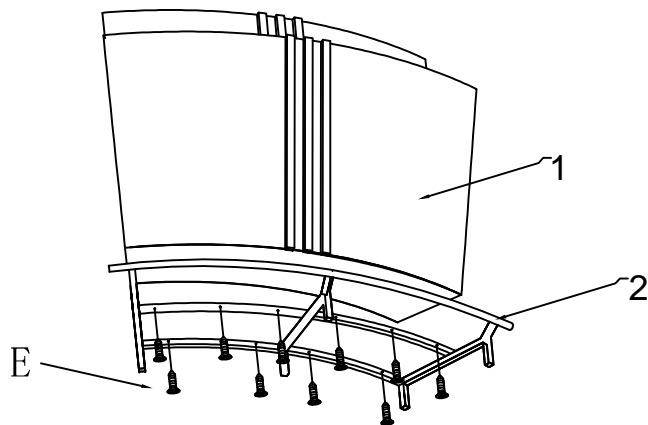
BEFORE YOU START CHECK ALL THE COMPONENTS

PRODUDT COMPONENTS		HARDWARE LIST		
1		A	 4mm	*1
		B	 M6x12	*4
2		C	 30x30x20	*4
3		D	 $\phi 3.5 \times 15$	*4
4		E	 $\phi 4 \times 35$	*10

STEP 1



STEP 2

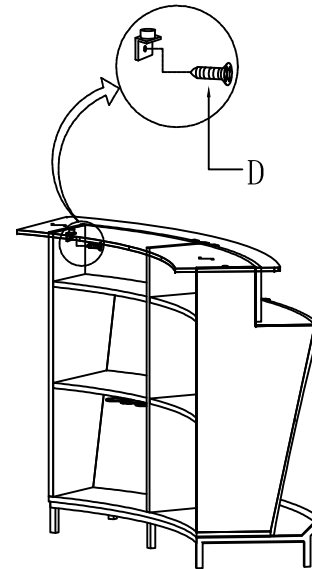


< 1 / 2 >

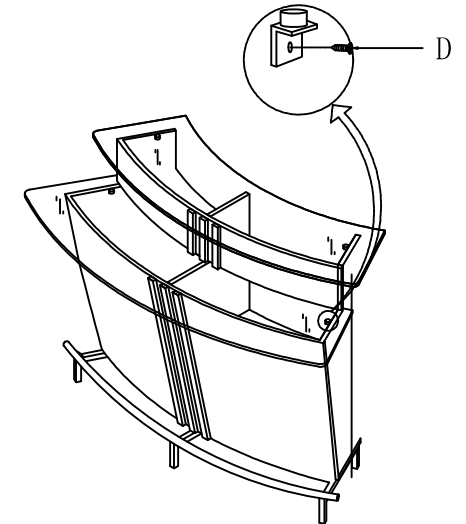
Assembly Instruction MODEL : BROADWAY-BAR

BEFORE YOU START CHECK ALL THE COMPONENTS

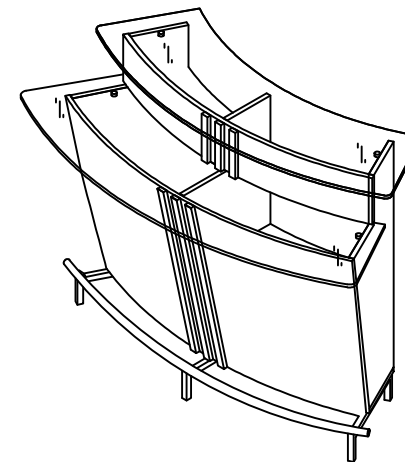
STEP 3



STEP 4



FINISHED



< 2 / 2 >