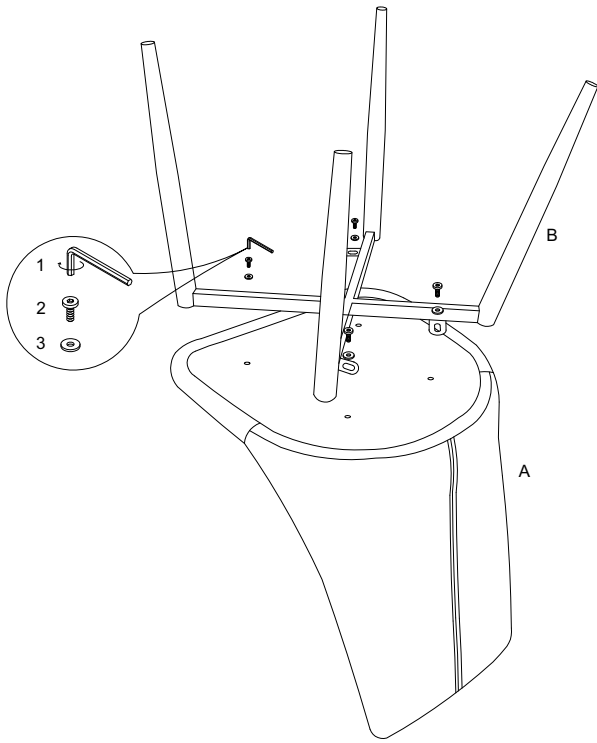




THANK YOU FOR PURCHASING THIS QUALITY PRODUCT.

BE SURE TO CHECK ALL PACKING MATERIAL CAREFULLY FOR SMALL PARTS THAT MAY HAVE COME LOOSE INSIDE THE CARTON DURING TRANSIT.

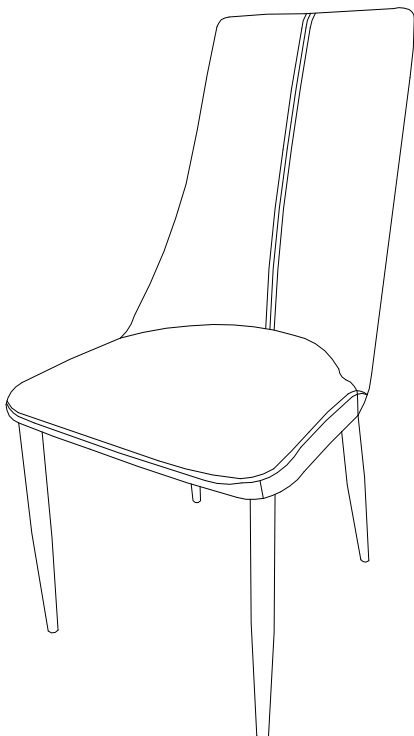
**STEP 1**






**PART LIST**

NO	DESC	SIZE (MM)	SKETCH	QTY
A	BACK	470x570x540		1 PC
B	LEG	430x430x430		1PC

**FINISHED**



**HARDWARE LIST**

NO	DESC	SIZE (MM)	SKETCH	QTY
1	SPANNER	M5		1PC
2	SCREW	M6X20		4PCS
3	PLAT WASHER	φ6Xφ16X2		4PCS