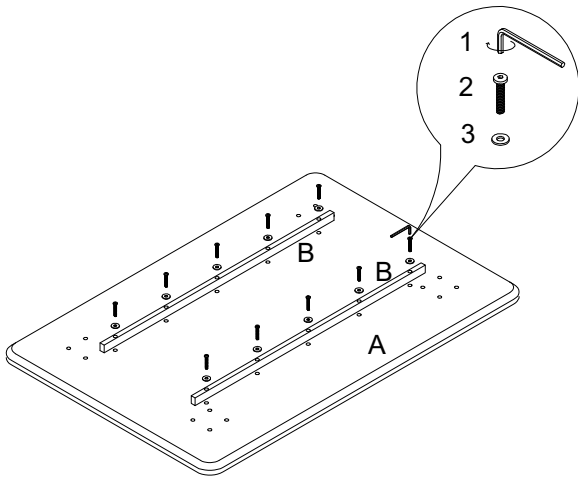
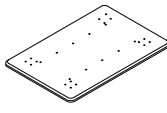
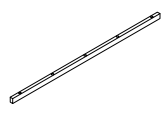


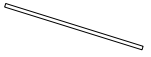
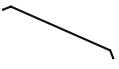
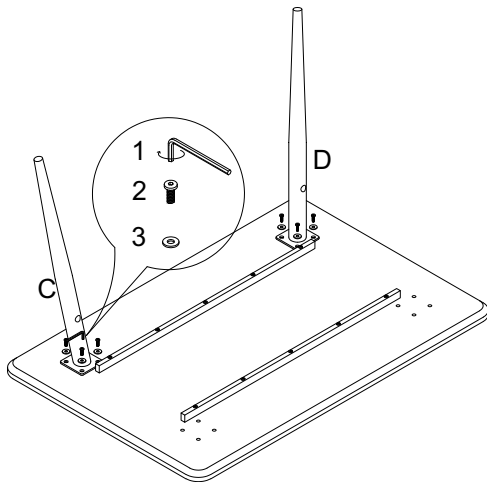


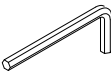





THANK YOU FOR PURCHASING THIS QUALITY PRODUCT.

BE SURE TO CHECK ALL PACKING MATERIAL CAREFULLY FOR SMALL PARTS THAT MAY HAVE COME LOOSE INSIDE THE CARTON DURING TRANSIT.

STEP 1

PART LIST

NO	DESC	SIZE (MM)	SKETCH	QTY
A	MDF TOP	1600x900x30		1 PC
B	LEG	15x25x1270		2PCS
C	LEG	90x90x728		2PCS
D	LEG	90x90x728		2PCS
E	LEG	ø16x620		2PCS
F	LEG	16x76x1310		1PC

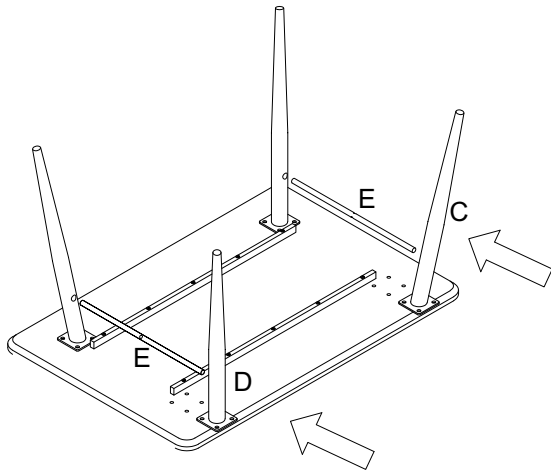
STEP 2

HARDWARE LIST

NO	DESC	SIZE (MM)	SKETCH	QTY
1	SPANNER	M5		1PC
2	SCREW	M8x45		10PCS
3	PLAT WASHER	φ 8x φ 16x1.5		26PCS
4	SCREW	M8x20		16PCS
5	SPANNER	M4		1PC
6	PILLAR	M6x30		2PCS

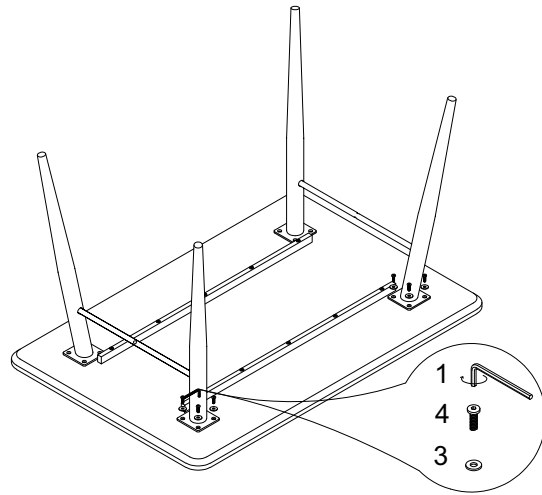
THANK YOU FOR PURCHASING THIS QUALITY PRODUCT.

BE SURE TO CHECK ALL PACKING MATERIAL CAREFULLY FOR SMALL PARTS THAT MAY HAVE COME LOOSE INSIDE THE CARTON DURING TRANSIT.

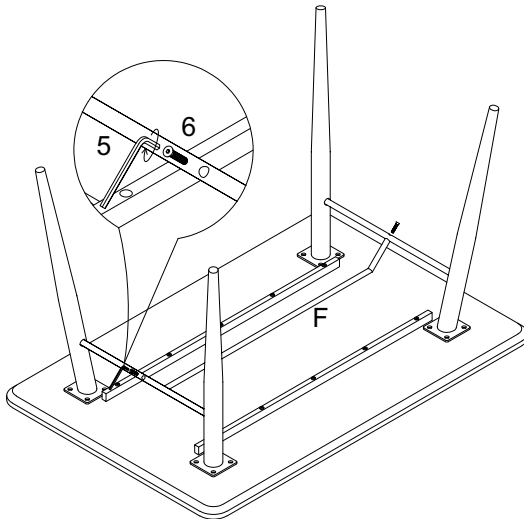
STEP 3



STEP 4



STEP 3



FINISHED

