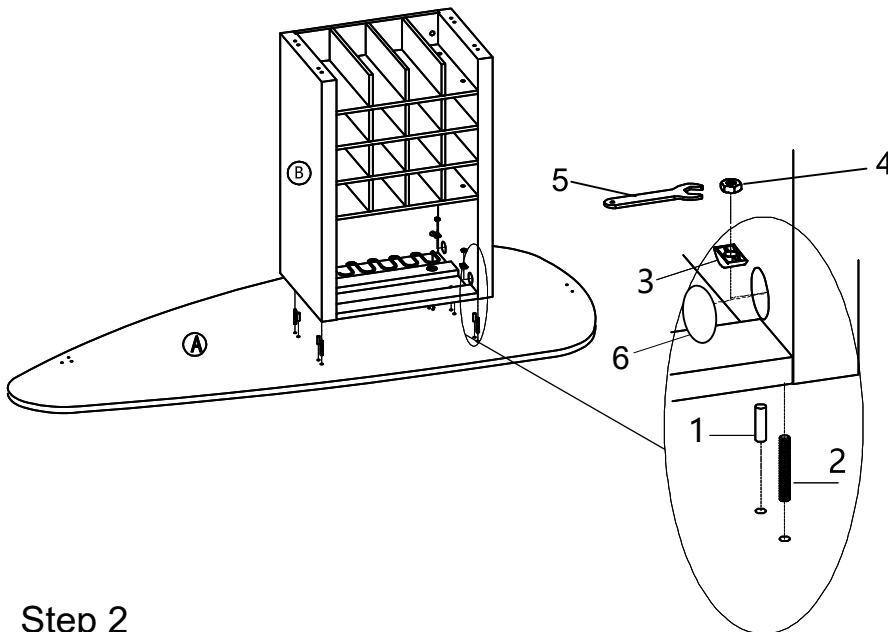






THANK YOU FOR PURCHASING THIS QUALITY PRODUCT.
BE SURE TO CHECK ALL PACKING MATERIAL CAREFULLY FOR SMALL PARTS THAT MAY HAVE COME LOOSE INSIDE THE CARTON DURING TRANSIT.

Step 1













INSERT 4 WOODEN TENONS(1) AND 4 BOLTS(2) TO THE BOTTOM SIDE OF THE TOP(A). ASSEMBLE THE COLUMN(B) TO THE TOP. PUT THE 4 METAL CAPS(3) THROUGH THE BOLTS(2), AND FASTEN THE 4 NUTS(4) BY WRENCH(5). INSERT THE 4 PLASTIC CAPS(6) TO COVER THE ASSEMBLY HOLES.



PART LIST

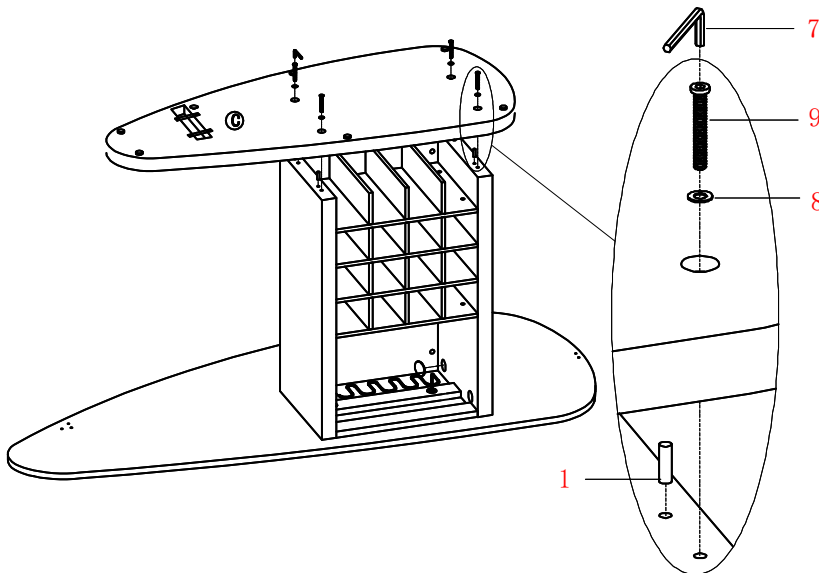
NO	DECS	DIZE (MM)	SKETCH	QTY
A	TOP	2000*876*21		1PC
B	COLU MN	580*400*847		1PC
C	BASE	1374*619*45		1PC
D	RING	1834*1702*70		1PC

HARDWARE LIST

NO	DECS	DIZE (MM)	SKETCH	QTY
1	WOODEN TENON	∅8*30		8PCS
2	BOLT	M8x55		4PCS
3	METAL CAP			4PCS
4	NUT	M8		4PCS
5	WRENCH	14MM		1PC
6	PLASTIC CAP	40MM		4PCS
7	ALLEN KEY	M5		1PC
8	WRENCH	∅22*10		5PCS
9	SCREW	M8*55		4PCS
10	SCREW	M8*35		1PCS
11	ALLEN KEY	M4		1PC
12	SCREW	M6*16		5PCS

Step 2

INSERT THE 4 WOODEN TENONS(1) TO THE BOTTOM SIDE OF THE CABINET. USE THE ALLEN KEY(7) TO ASSEMBLE THE BASE(C) TO COLUMN BY 4 WASHERS(8) AND 4 SCREWS(9).

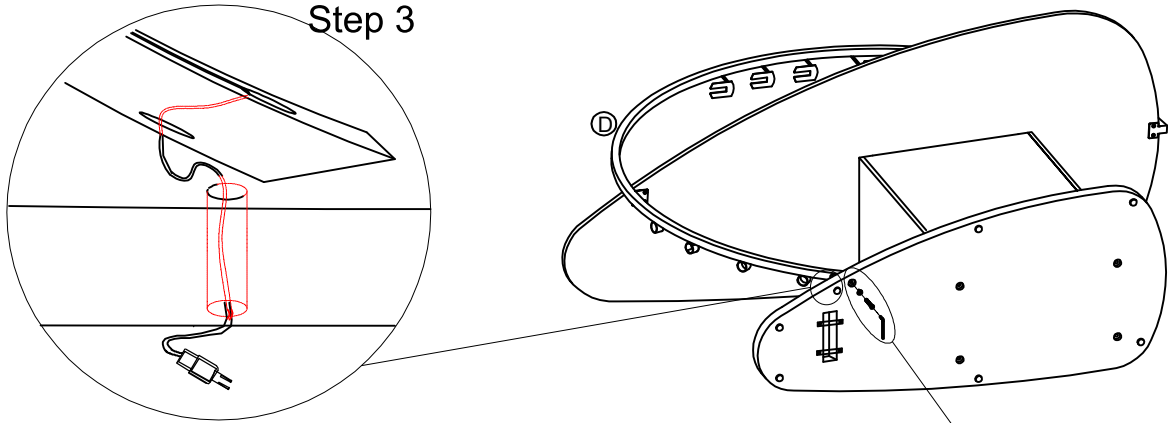




STEP 3

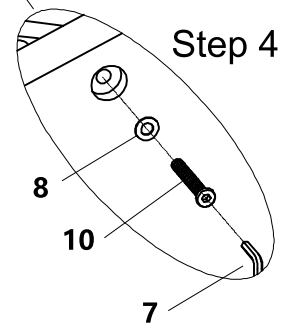
LAY DOWN THE BAR.

INSERT THE WIRE PIN FROM THE END OF LED RING(D) THROUGH THE HOLE OF THE BASE.



STEP 4

FASTEN THE WASHER(8) AND SCREW(10) BY ALLEN KEY(7).

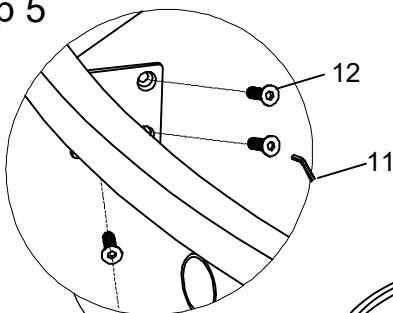


STEP 5/6

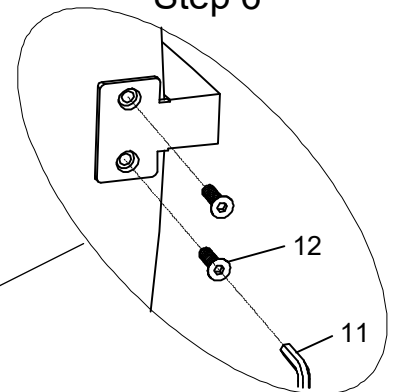
USE ALLEN KEY(11) TO FASTEN THE 3 SCREWS(12) IN THE MIDDLE OF THE RING TO THE TOP.

AND THEN FASTEN THE OTHER 2 SCREWS(12) AT THE END OF THE RING.

Step 5



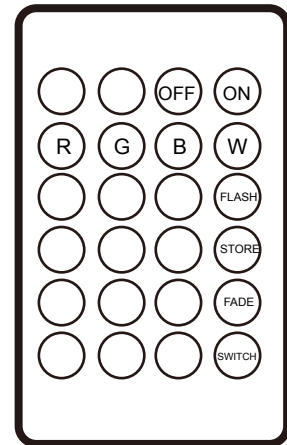
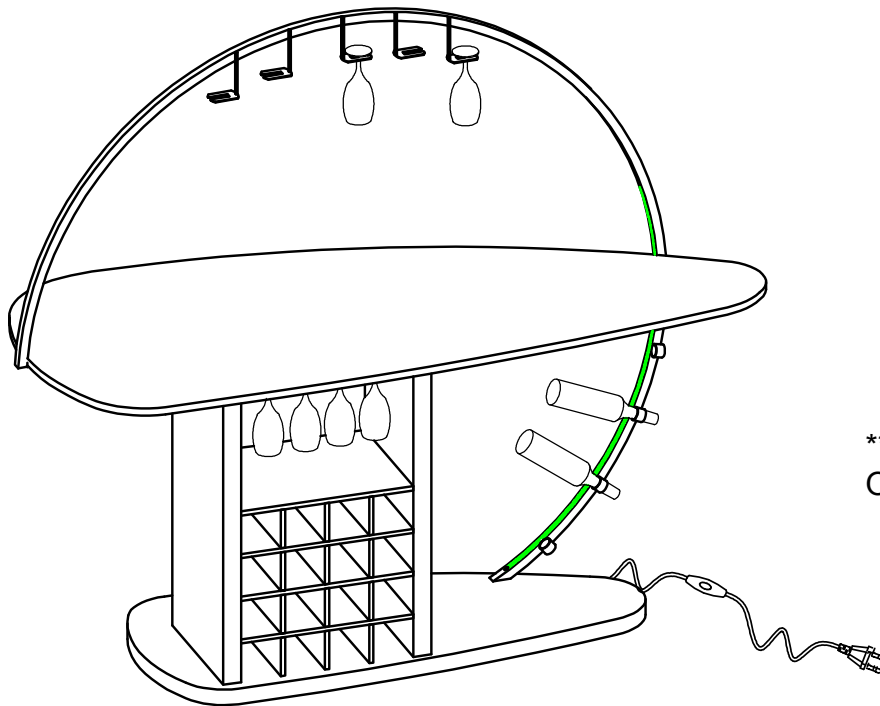
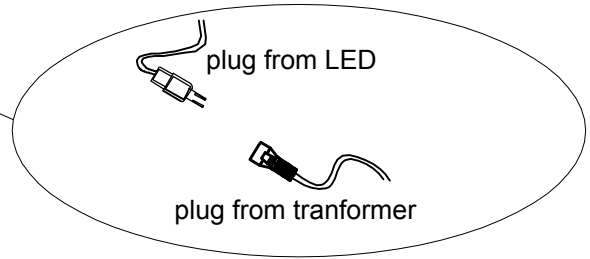
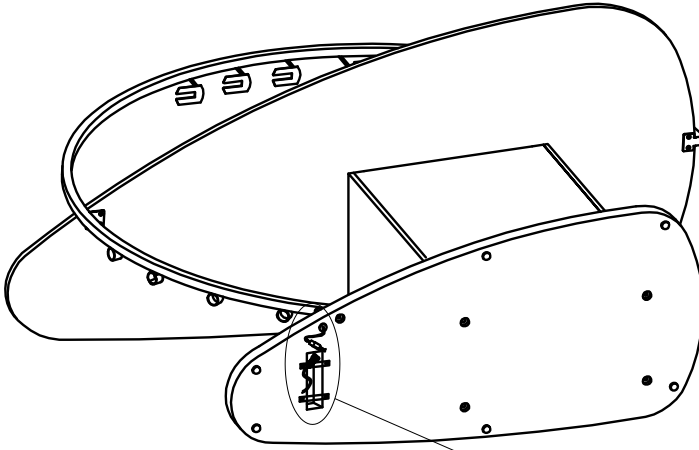
Step 6





STEP 7

CONNECT THE MALE AND FEMAIL WIRE PINS OF THE LED RING.
ORGANIZE THE EXTRA WIRE AND PUT THE CONNECTORS INTO THE TRANSFORMER SLOT.



REMOTE

**MUST BE CLOSE ENOUGH TO OPERATE REMOTE CONTROLLER

Once fully assembled, step on the foot switch until the LED lights flash. When the LED lights flash that means the unit is on. You can then use the remote control to turn the bar on and off and adjust the light settings.

ADJUSTABLE GLIDES UNDERNEATH.
PLEASE ADJUST IT IF NEEDED.