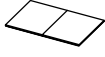


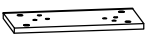



Assembly Instruction


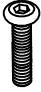
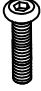



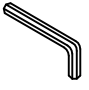
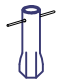
ITEM NO. : BETHANY-DT

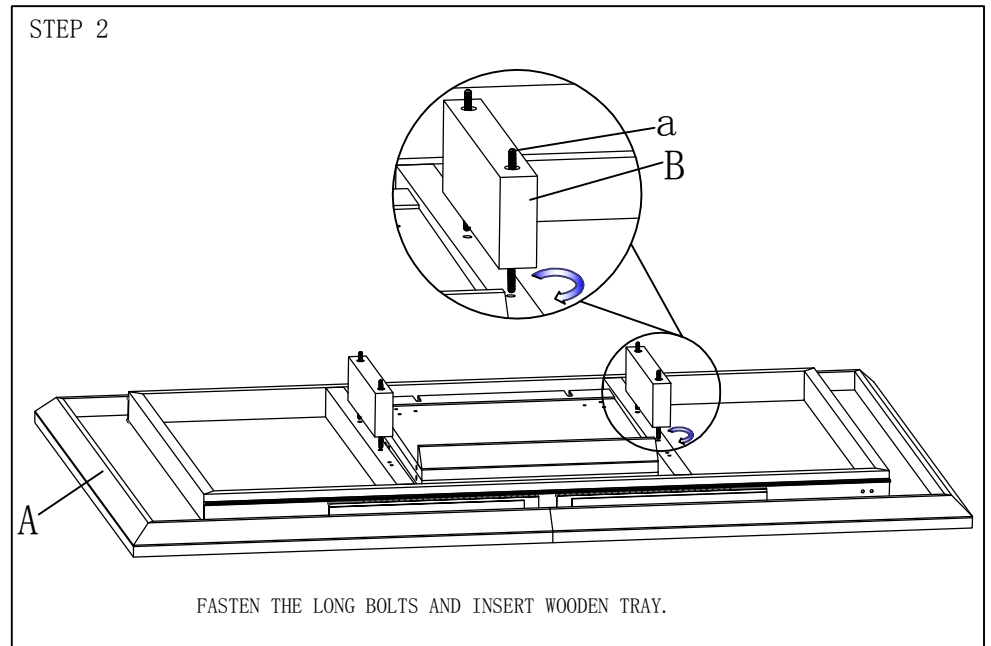
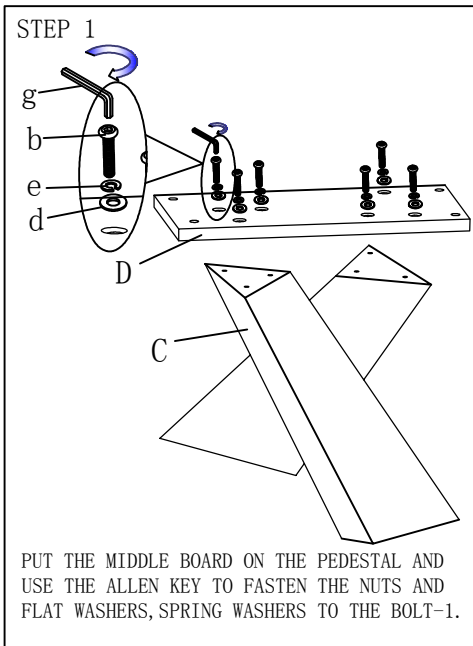
Thank you for purchasing this quality product. Be sure to check all packaging material carefully for small parts that may have come loose inside the carton during shipment.

PARTS LIST:

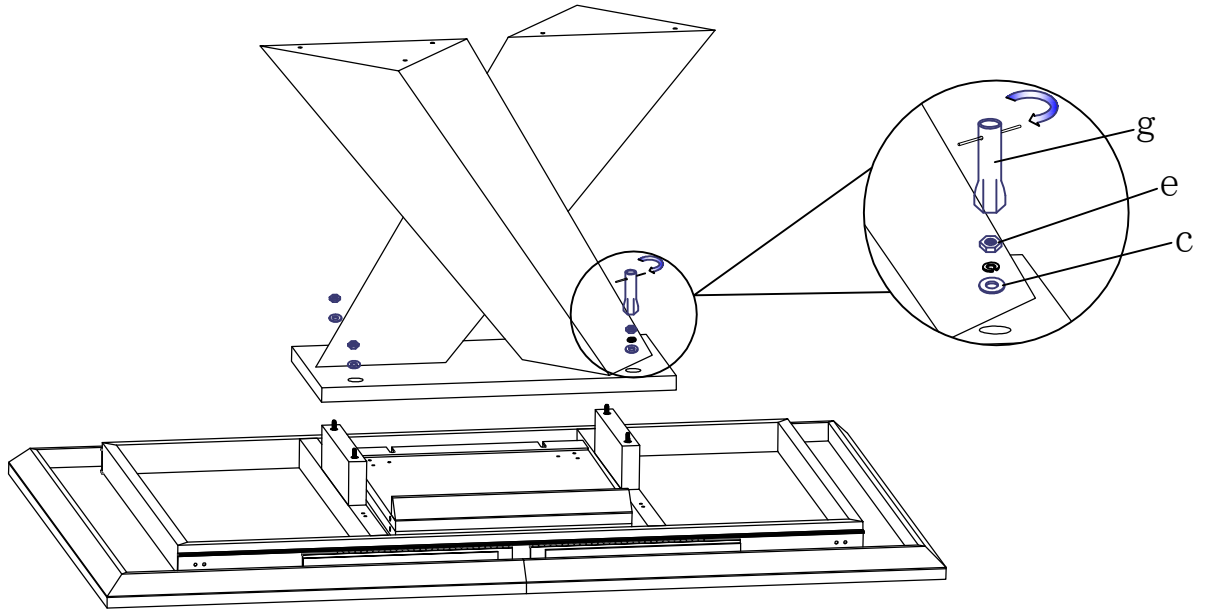
NO	DESCRIPTION	SKETCH	QTY
A	Top		1PC
B	Wooden tray		2PCS
C	Pedestal		2PCS
D	Middle board		1PC
E	Base		1PC

HARDWARE LIST:

NO	DESCRIPTION	SKETCH	QTY
a	Long bolt	 M8X110	4PCS
b	Bolt-1	 M8X35	6PCS
c	Bolt-2	 M8X40	6PCS
d	Flat washer	 $\phi 20 \times \phi 8$	16PCS
e	Spring washer	 $\phi 12 \times \phi 8$	16PCS
f	Nut	 M8	4PCS
g	Allen key	 5#	1PC
h	Hexagon socket	 14#	1PC

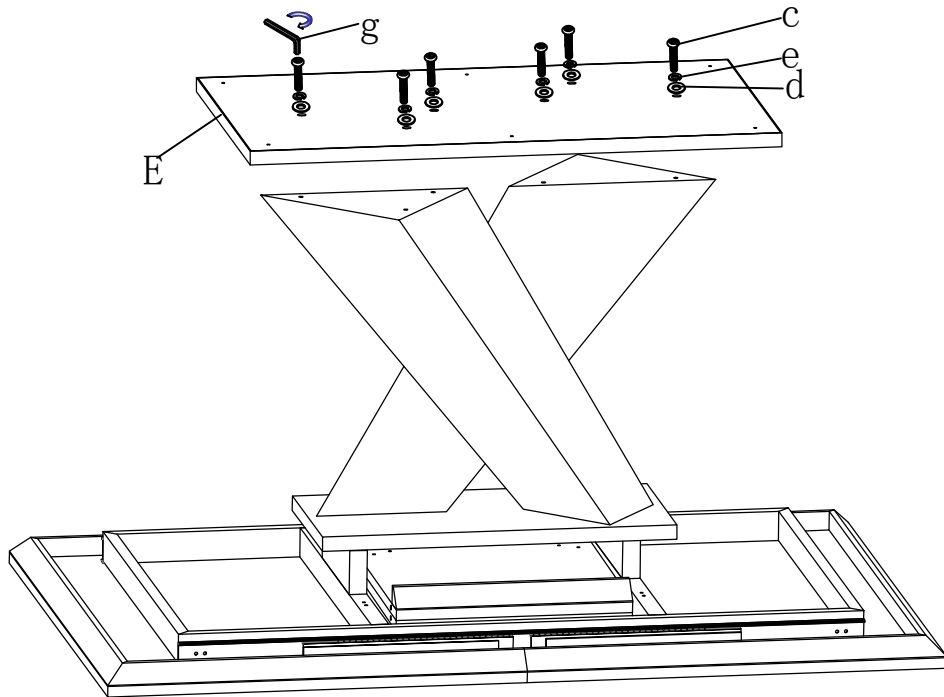


STEP 3



PLACE THE PEDESTAL THROUGH THE LONG BOLTS AND USE THE SOCKET TO FASTEN THE NUTS AND WASHERS TO THE BOLTS.

STEP 4



PLACE THE BASE ON THE PEDESTAL AND USE THE ALLEN KEY TO FASTEN THE BOLT-2 AND WASHERS.

