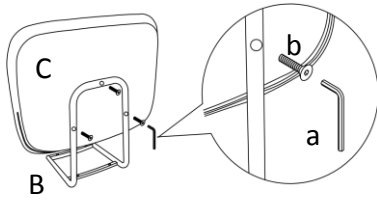
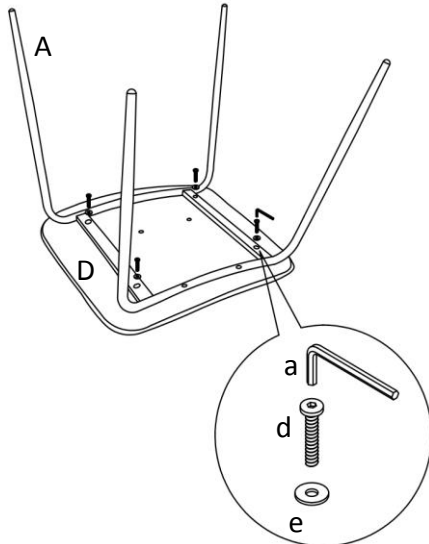
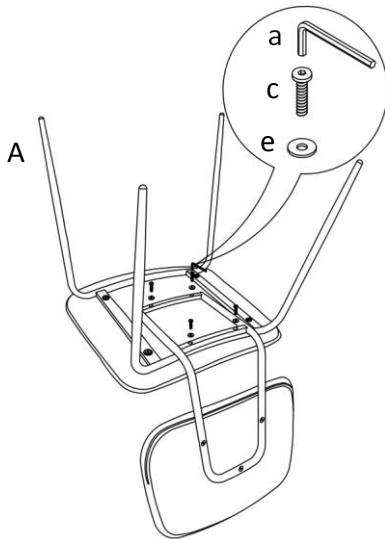
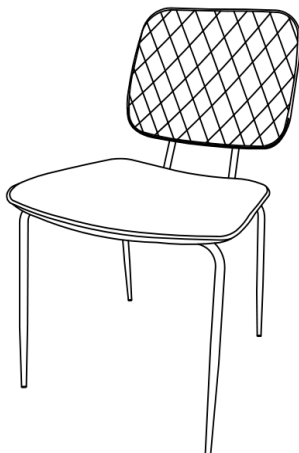



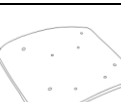



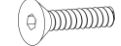



THANK YOU FOR PURCHASING THIS QUALITY PRODUCT.

BE SURE TO CHECK ALL PACKING MATERIAL CAREFULLY FOR SMALL PARTS THAT MAY HAVE COME LOOSE INSIDE THE CARTON DURING TRANSIT.

STEP 1

STEP 2

STEP 3

FINISHED

PART LIST

NO	DESC	SIZE (MM)	SKETCH	QTY
A	LEG	457*455*428		1 PC
B	FRAME	330*205*305		1PC
C	BACK	400*310*45		1PC
D	SEAT	450*445*55		1 PC

HARDWARE LIST

NO	DESC	SIZE (MM)	SKETCH	QTY
a	SPANNER	M4		1PC
b	SCREW	M6X30		3PCS
c	SCREW	M6X25		4PCS
d	SCREW	M6X30		4PCS
e	PLAT WASHER	ø6Xø16X1.5		8PCS