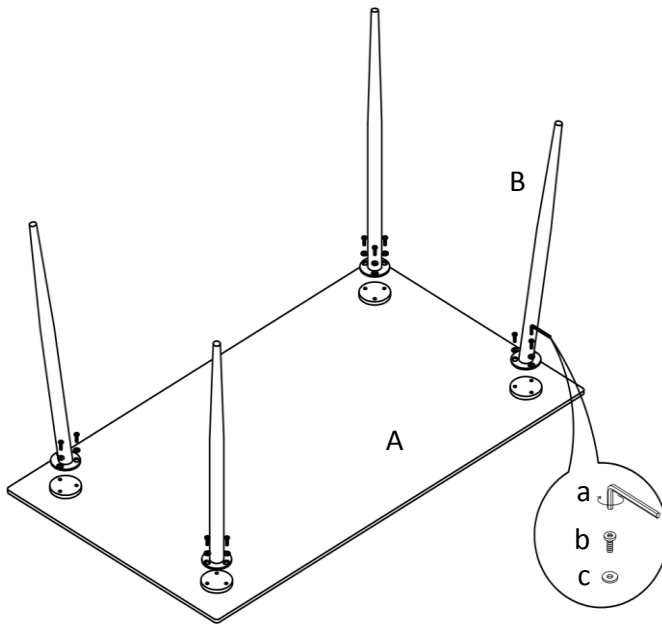
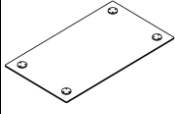

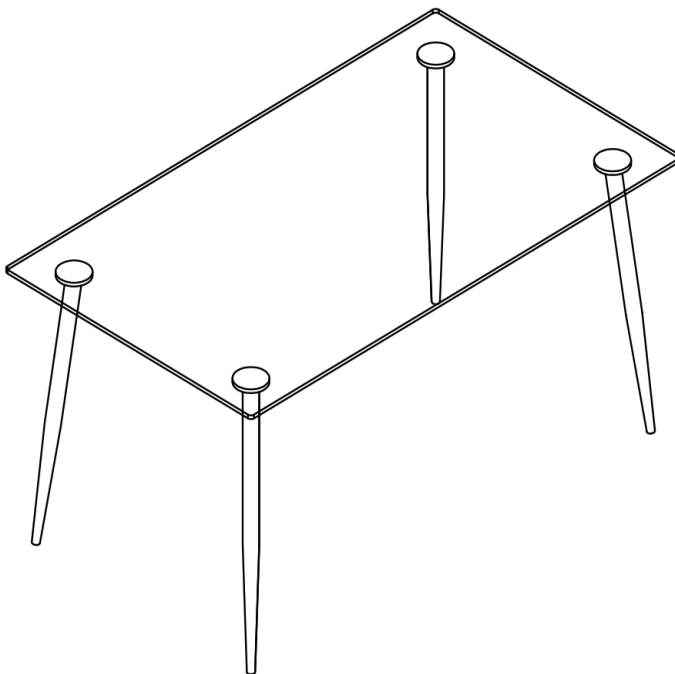





THANK YOU FOR PURCHASING THIS QUALITY PRODUCT.

BE SURE TO CHECK ALL PACKING MATERIAL CAREFULLY FOR SMALL PARTS THAT MAY HAVE COME LOOSE INSIDE THE CARTON DURING TRANSIT.

STEP 1

PART LIST

NO	DESC	SIZE (MM)	SKETCH	QTY
A	CLASS TOP	1400X800X20		1 PC
B	LEG	735X80X80		4PCS

FINISHED

HARDWARE LIST

NO	DESC	SIZE (MM)	SKETCH	QTY
a	SPANNER	M5		1PC
b	SCREW	M8X10		12PCS
c	PLAT WASHER	ø8Xø18X1.5		12PCS