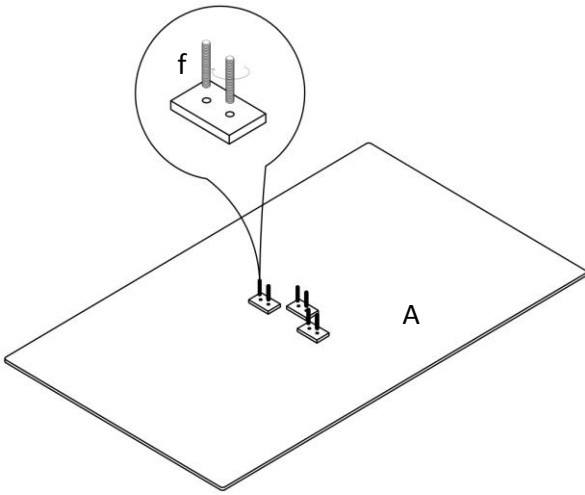
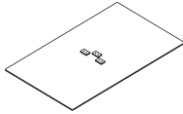
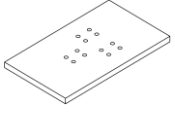


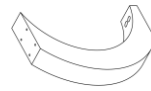
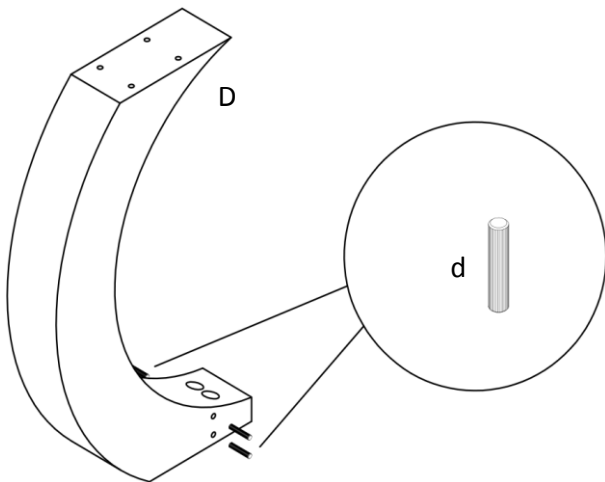


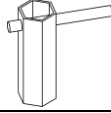





THANK YOU FOR PURCHASING THIS QUALITY PRODUCT.

BE SURE TO CHECK ALL PACKING MATERIAL CAREFULLY FOR SMALL PARTS THAT MAY HAVE COME LOOSE INSIDE THE CARTON DURING TRANSIT.

**STEP 1**

**PART LIST**

NO	DESC	SIZE (MM)	SKETCH	QTY
A	CLASS TOP	1500X900X20		1 PC
B	BASE	900x525x40		1PC
C	LEG	685x400x100		1PC
D	LEG	685x400x100		1PC
E	LEG	685x400x100		1PC

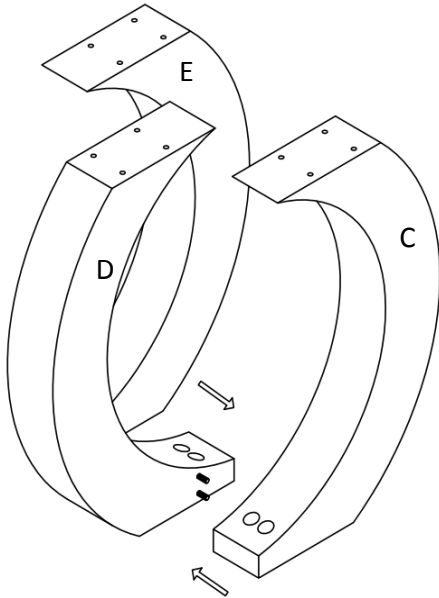
**STEP 2**

**HARDWARE LIST**

NO	DESC	SIZE (MM)	SKETCH	QTY
a	SPANNER	M8		1PC
b	SCREW	M8		18PCS
c	PLAT WASHER	ø8Xø20X2		18PCS
d	PILLAR	ø8x40		4PCS
e	LEAD SCREW	ø8x60		12PCS
f	LEAD SCREW	ø8x50		6PCS

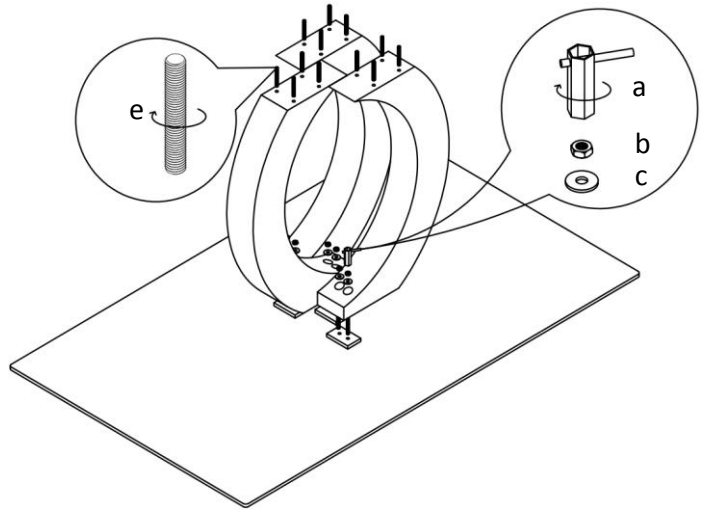
THANK YOU FOR PURCHASING THIS QUALITY PRODUCT.

BE SURE TO CHECK ALL PACKING MATERIAL CAREFULLY FOR SMALL PARTS THAT MAY HAVE COME LOOSE INSIDE THE CARTON DURING TRANSIT.

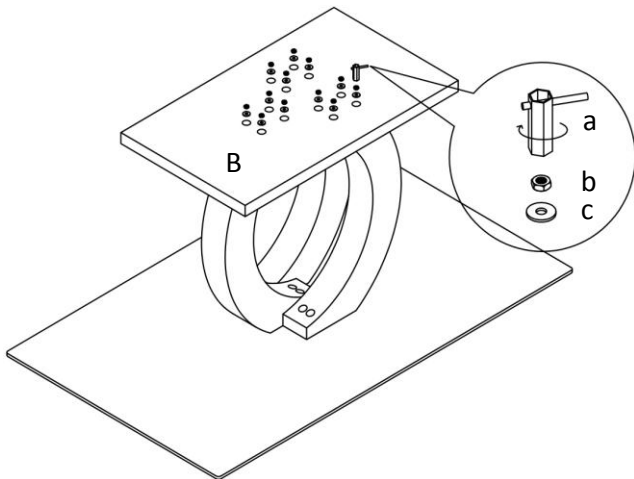
**STEP 3**



**STEP 4**



**STEP 5**



**FINISHED**

