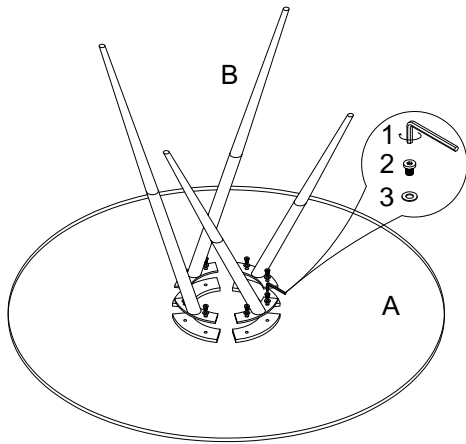
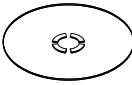

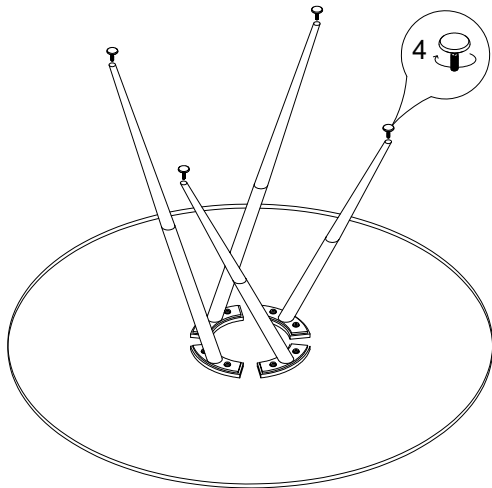


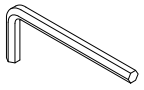



THANK YOU FOR PURCHASING THIS QUALITY PRODUCT.

BE SURE TO CHECK ALL PACKING MATERIAL CAREFULLY FOR SMALL PARTS THAT MAY HAVE COME LOOSE INSIDE THE CARTON DURING TRANSIT.

STEP 1

PART LIST

NO	DESC	SIZE (MM)	SKETCH	QTY
A	CLASS TOP	φ1200x12		1 PC
B	LEG	148x56x1017		4PCS

STEP 2

HARDWARE LIST

NO	DESC	SIZE (MM)	SKETCH	QTY
1	SPANNER	M5		1PC
2	SCREW	M8x10		8PCS
3	PLAT WASHER	φ8xφ16x1		8PCS
4	FEET	M6		4PCS



THANK YOU FOR PURCHASING THIS QUALITY PRODUCT.

BE SURE TO CHECK ALL PACKING MATERIAL CAREFULLY FOR SMALL PARTS THAT MAY HAVE COME LOOSE INSIDE THE CARTON DURING TRANSIT.

FINISHED

