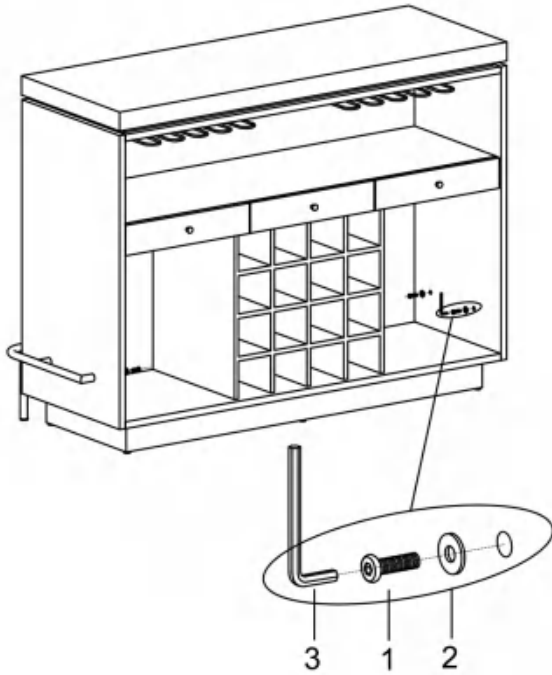






THANK YOU FOR PURCHASING THIS QUALITY PRODUCT.
BE SURE TO CHECK ALL PACKING MATERIAL CAREFULLY FOR SMALL PARTS THAT MAY HAVE COME LOOSE INSIDE THE CARTON DURING SHIPMENT.

STEP 1

PART LIST

NO	DECS	SIZE (MM)	SKETCH	QTY
A	BAR BODY	1200*434*915		1PC
B	FRONT FOOTREST	1290*365*200		1PC

HARDWARE LIST

NO	DECS	SIZE (MM)	SKETCH	QTY
1	SCREW	M8*30		4PCS
2	FLAT WASHER	Φ17*1.5*Φ8		4PCS
3	ALLEN KEY	M5		1PC

FINISHED
