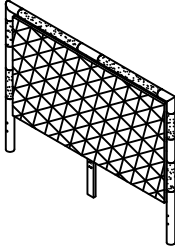
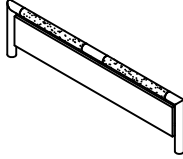
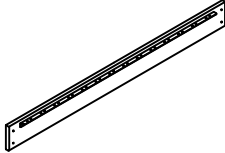









THANK YOU FOR PURCHASING THIS QUALITY PRODUCT.
BE SURE TO CHECK ALL PACKING MATERIAL CAREFULLY FOR SMALL PARTS THAT
MAY HAVE COME LOOSE INSIDE THE CARTON DURING TRANSIT.

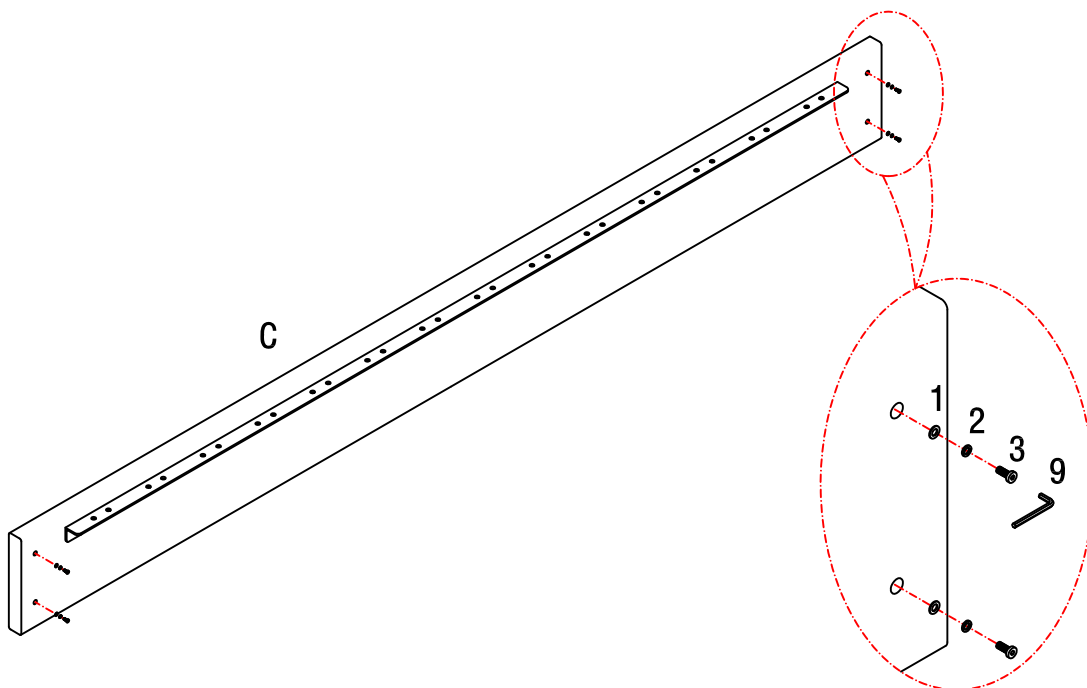
NO	DESCRIPTION	SIZE(mm)	SKETCH	QTY
A	HEADBOARD	1250H		1PC
B	FOOTBOARD	432H		1PC
C	SIDE RAIL	2080x198		2PCS
D	CENTRE RAIL	40x60x2130		1PC
E	MIDDLE SUPPORT	332x53		2PCS
F	SLAT	53.5 x t9		28PCS
G	PLASTIC CAP	55x10		28PCS
H	2 WAY PLASTIC CAP	55x10		14PCS



HARDWARE LIST:

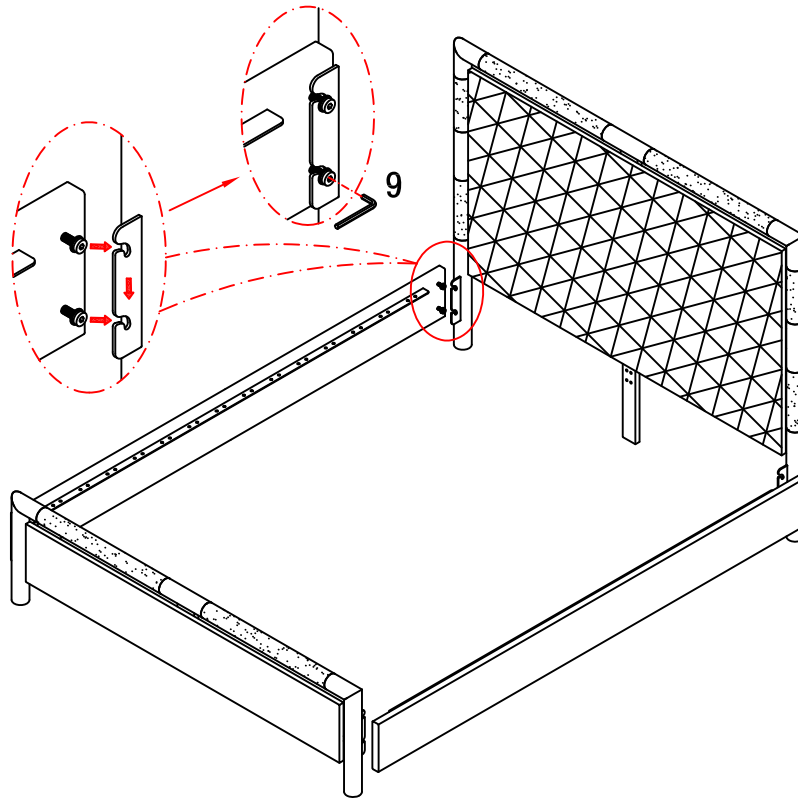
NO	DESCRIPTION	SIZE(mm)	SKETCH	QTY
1	WASHER	ø16xø8.5*t1.2		8PCS
2	SPRING WASHER	ø8.5*t2.0		8PCS
3	BOLT	M8*20		8PCS
4	WASHER	ø16xø6.5*t1.2		10PCS
5	SPRING WASHER	ø6.5*t1.8		8PCS
6	BOLT	1/4"*32		2PCS
7	BOLT	1/4"*20		8PCS
8	ALLEN KEY	4		1PC
9	ALLEN KEY	5		1PC

Step 1

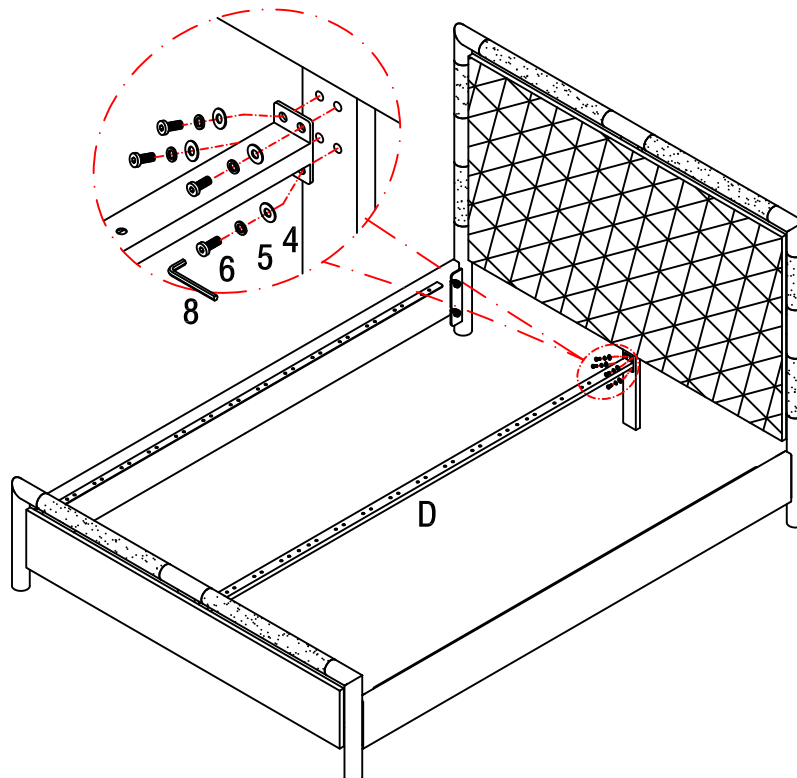




Step 2

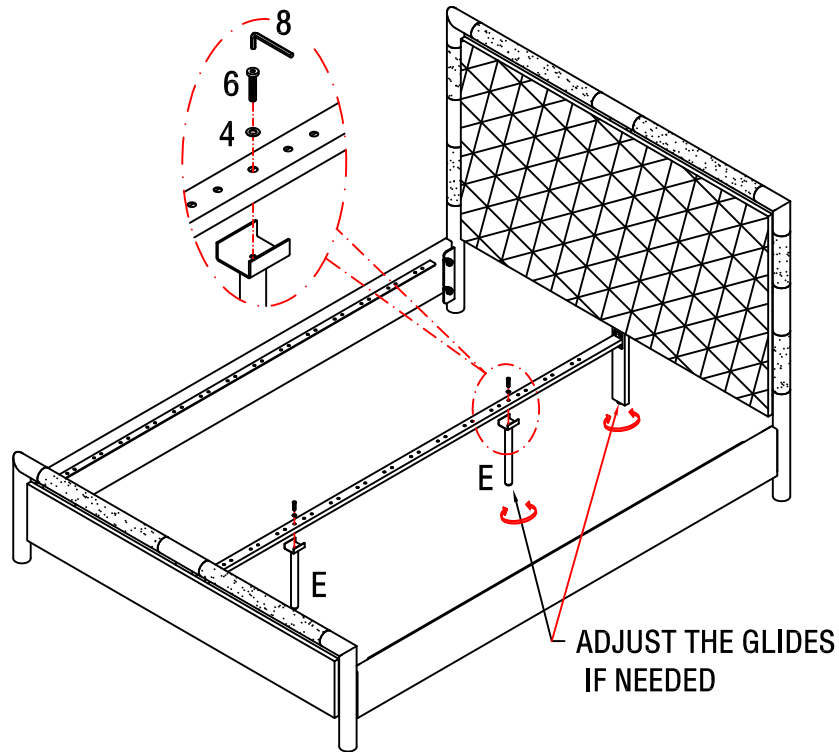


Step 3





Step 4



Step 5

