
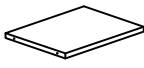
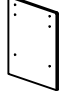
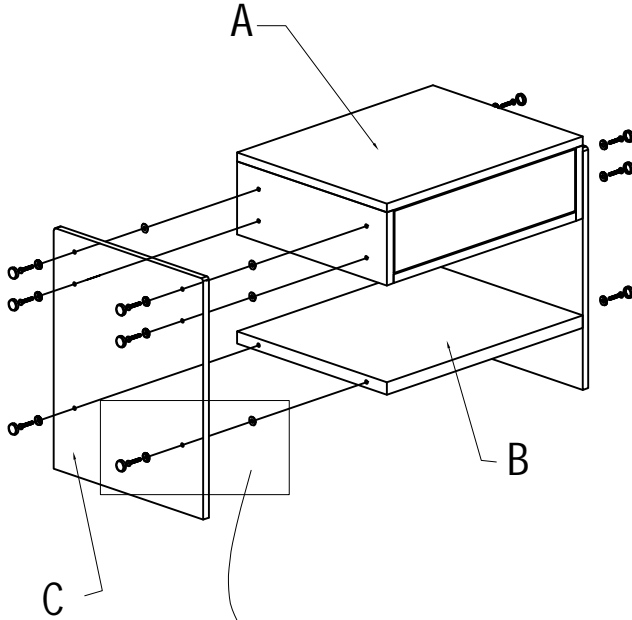







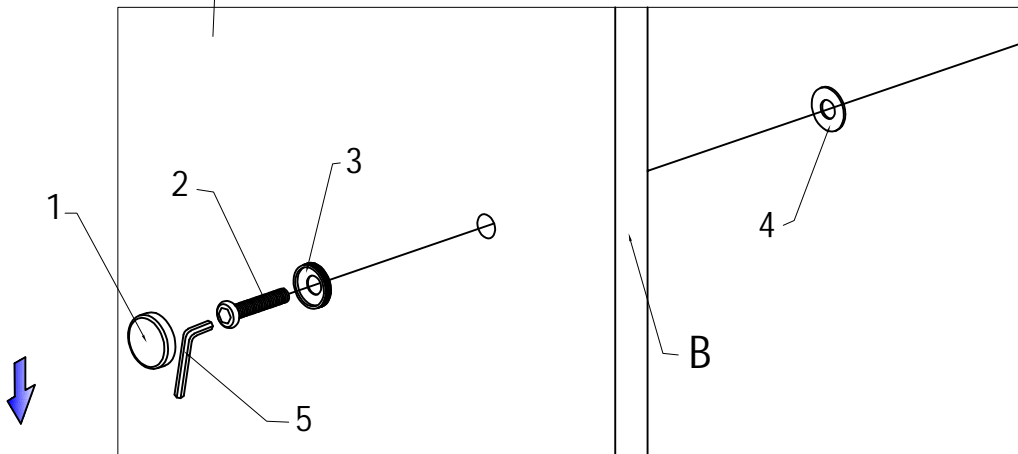
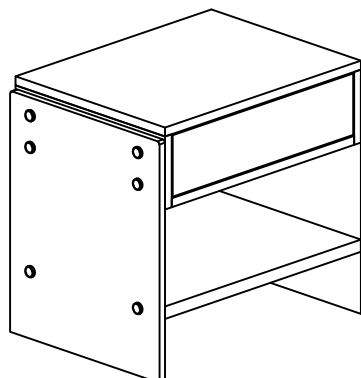
THANK YOU FOR PURCHASING THIS QUALITY PRODUCT.
 BE SURE TO CHECK ALL PACKING MATERIAL CAREFULLY FOR SMALL PARTS THAT MAY HAVE COME LOOSE
 INSIDE THE CARTON DURING TRANSIT.

PART LIST

NO	DESC	SIZE (MM)	SKETCH	QTY
A	CABINET	530X400X165		1PCS
B	MDF PANEL	530X400X25		1PCS
C	ACRYLIC LEG	485X400X15		2PCS

STEP 1

HARDWARE LIST

NO	DESC	SIZE (MM)	SKETCH	QTY
1	Decorative cover	Ø22		12 PCS
2	Screw	M6x35		12 PCS
3	Gaskets			12 PCS
4	Rubber Pad			12 PCS
5	Spanner	4#		1 PCS

STEP 2

FINISHED

MADE IN CHINA