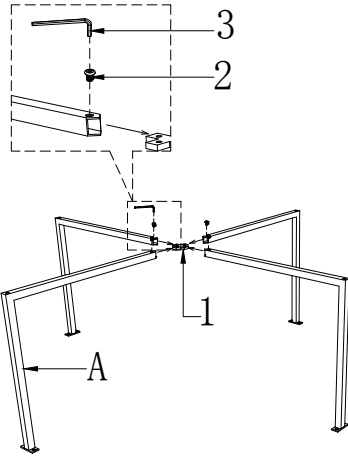


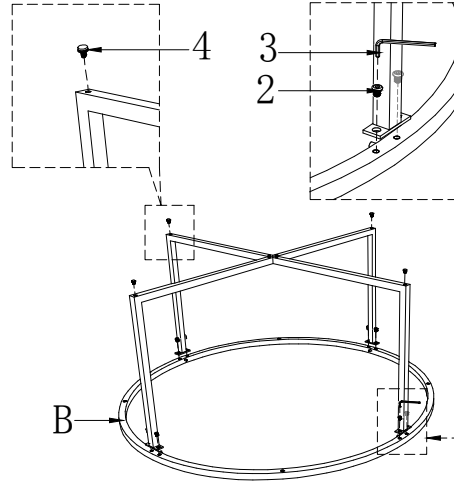


Thank you for purchasing this quality product. Be sure to check all packaging material carefully for small parts that may have come loose inside the carton during shipment.

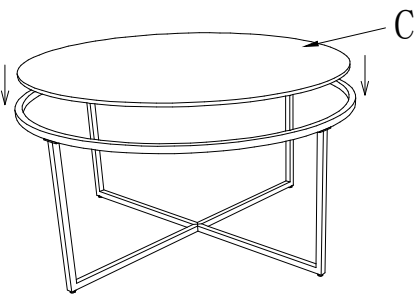
Step 1:



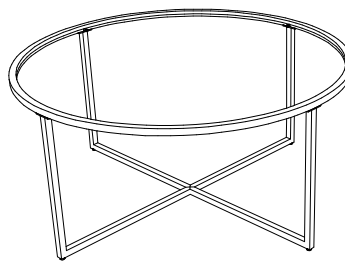
Step 2:



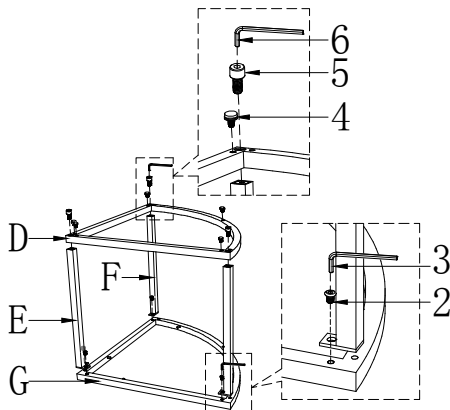
Step 3:



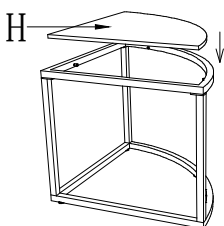
Step 4:



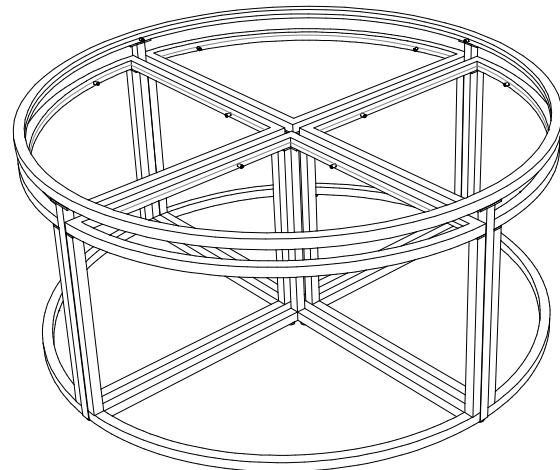
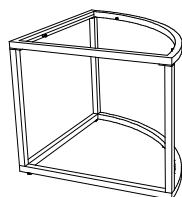
Step 5:



Step 6:



Step 7:



FINISHED

PARTS LIST

NO	DESCRIPTION	SIZE (mm)	SKETCH	QTY
A	Foot	494*50*430		4PCS
B	Upper lap	990*19		1PC
C	Glass top	950*10		1PC
D	Upper lap	484*484*19		4PCS
E	Foot-01	360*35*35		4PCS
F	Foot-02	360*19*35		8PCS
G	Under lap	484*484*19		4PCS
H	Glass top	443*443*10		4PCS

PARTS LIST

NO	DESCRIPTION	SIZE (mm)	SKETCH	QTY
1	Fittings	50*50*6		1PC
2	Screw	M6*12		28PCS
3	Hex wrench	S4		1PC
4	Rubber feet	15*16-M6		24PCS
5	Screw	M6*20		12PCS
6	Hex wrench	S5		1PC