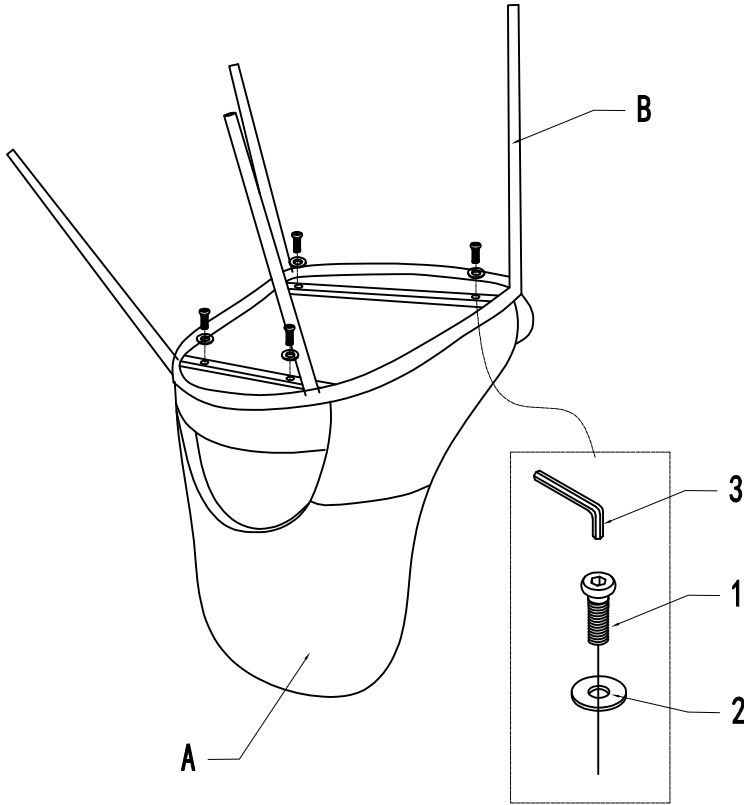




THANK YOU FOR PURCHASING THIS QUALITY PRODUCT.

BE SURE TO CHECK ALL PACKING MATERIAL CAREFULLY FOR SMALL PARTS THAT MAY HAVE COME LOOSE INSIDE THE CARTON DURING TRANSIT.




STEP 1



PART LIST

NO	DESC	SIZE (MM)	SKETCH	QTY
A	SEAT	540*640*485		1PC
B	LEG	550*500*400		1PC

HARDWARE LIST

NO	DESC	SIZE (MM)	SKETCH	QTY
1	BOLT	M6*30		4 PCS
2	WASHER	Ø6.3		4 PCS
3	SPANNER	4#		1PCS

FINISHED

