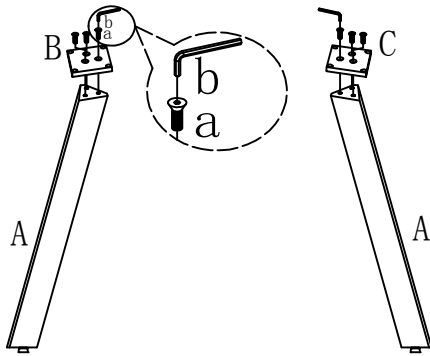




Thank you for purchasing this quality product. Be sure to check all packaging material carefully for small parts that may have come loose inside the carton during shipment.

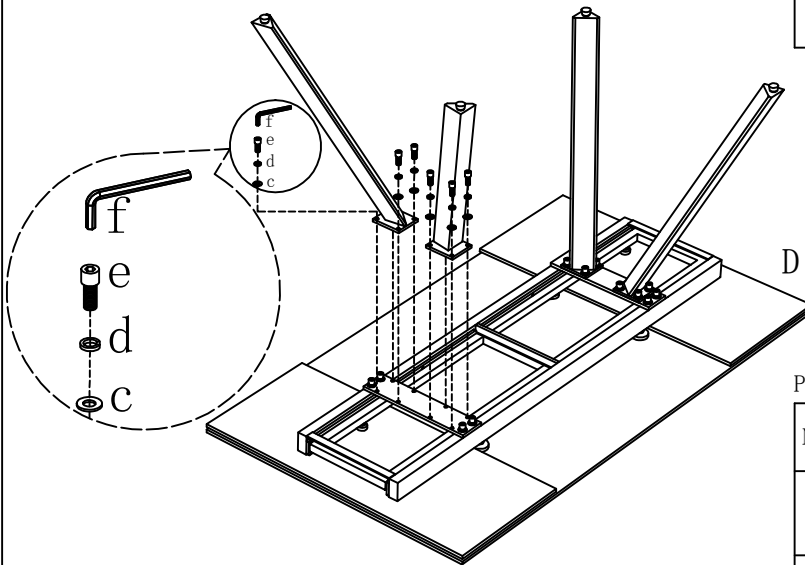
Step 1:



PARTS LIST

NO	DESCRIPTION	SIZE (mm)	SKETCH	QTY
A	FOOT	749*76*45		4PCS
B	LEFT CONNECTING PLATE	6*80*90		2PCS
C	RIGHT CONNECTING PLATE	6*80*90		2PCS
D	FORMING FRAME	1600*900*120		1PC

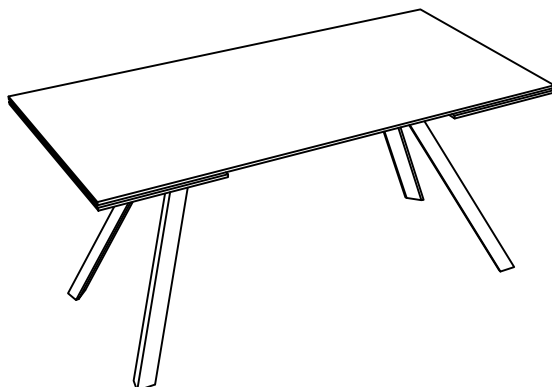
Step 2:



PARTS LIST

NO	DESCRIPTION	SIZE (mm)	SKETCH	QTY
a	SCREW	M8*20		12PCS
b	SPANNER	S5		1PC
c	WASHER	Ø17*1.5-Ø8		16PC
d	TRAMPOLINE	Ø13*2-Ø9		16PC
e	SCREW	M8*20		16PCS
f	SPANNER	S6		1PC

Step 3:



FINISHED