



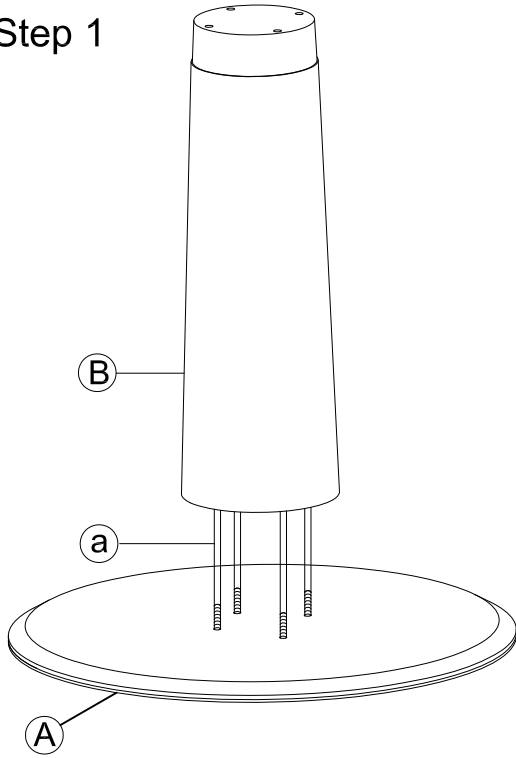
Chintaly Imports.

ASSEMBLY INSTRUCTION

ITEM NO: AGNES-CNT-WHT

THANK YOU FOR PURCHASING THIS QUALITY PRODUCT.
BE SURE TO CHECK ALL PACKING MATERIAL CAREFULLY FOR SMALL PARTS THAT MAY HAVE COME LOOSE INSIDE THE CARTON DURING TRANSIT.

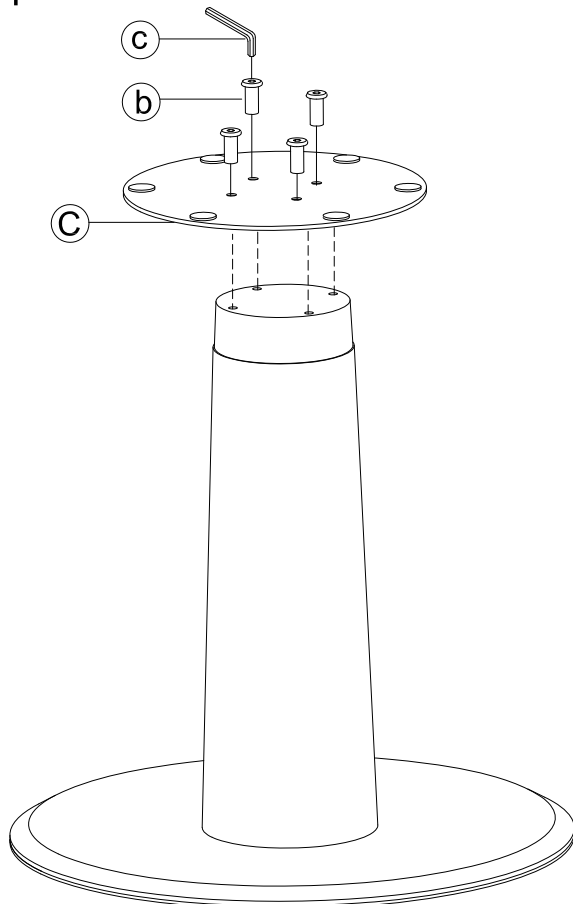
Step 1



PARTS LIST:

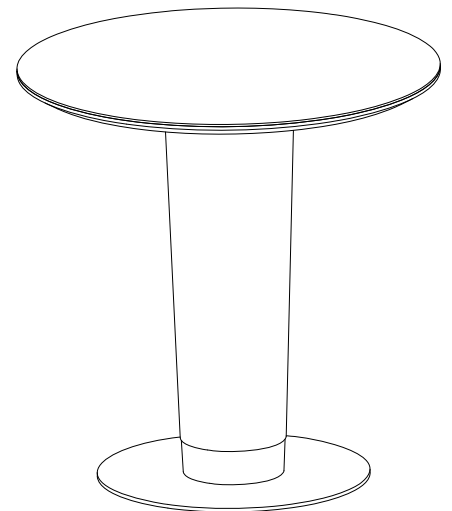
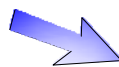
NO	DESCRIPTION	SKETCH	QTY
A	Top		1PCS
B	pedestal		1PCS
C	Base		1PCS

Step 2



HARDWARE LIST:

NO	DESCRIPTION	SKETCH	QTY
a	short bolt M8 × 8.5		4PCS
b	nut M8 × 25		4PCS
c	Allen key 5#		1PCS



MADE IN CHINA