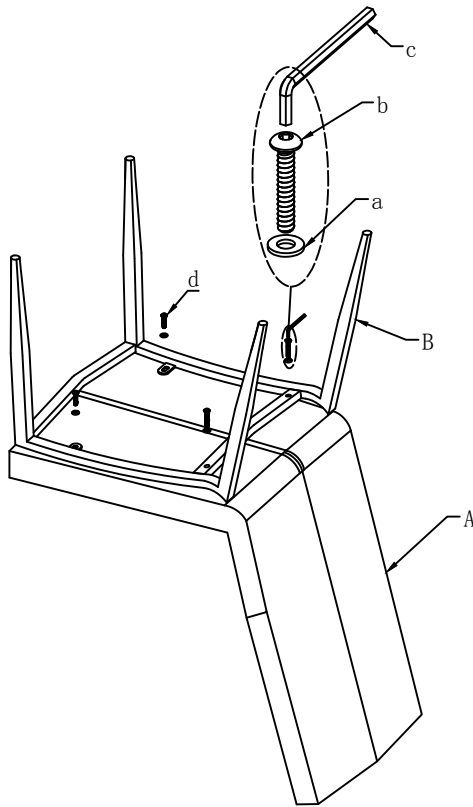




Thank you for purchasing this quality product. Be sure to check all packaging material carefully for small parts that may have come loose inside the carton during shipment.

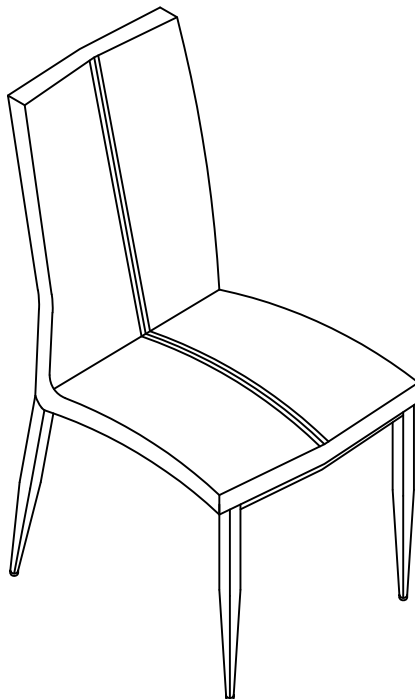
Step 1



PARTS LIST

NO	DESCRIPTION	SIZE (mm)	SKETCH	QTY
A	Bucket	445*600*575		1PC
B	Base	440*530*400		1PC

Step 2



PARTS LIST

NO	DESCRIPTION	SIZE (mm)	SKETCH	QTY
a	Gasket	$\phi 16 * \phi 6 * 1.5$		4PCS
b	Cylinder head screw	M6*35		2PCS
c	Hex key	4mm		1PC
d	Cylinder head screw	M6*16		2PCS