

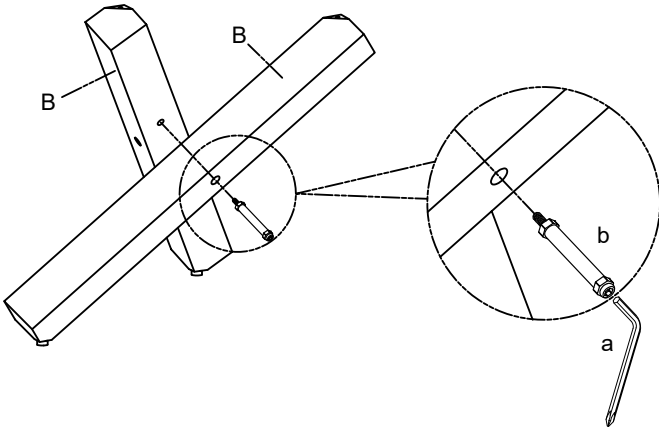


THANK YOU FOR PURCHASING THIS QUALITY PRODUCT.

BE SURE TO CHECK ALL PACKING MATERIAL CAREFULLY FOR SMALL PARTS THAT MAY HAVE COME LOOSE INSIDE THE CARTON DURING TRANSIT.

STEP 1

Turn bolt b 70-80%



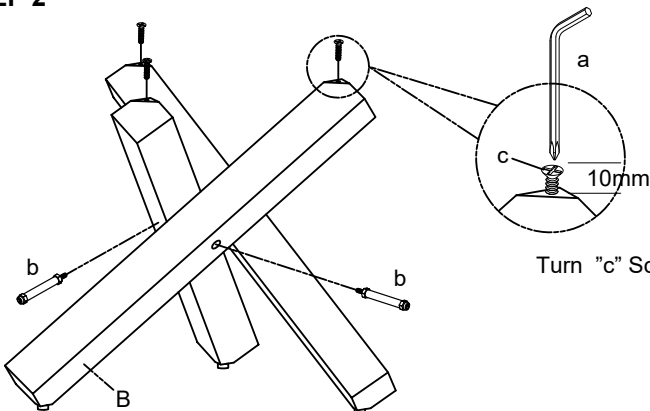
PART LIST

NO	DESC	SIZE (MM)	SKETCH	QTY
A	Glass Top	DIA900x10		1 PC
B	Metal Leg	595x60x60		3PC

HARDWARE LIST

NO	DESC	SIZE (MM)	SKETCH	QTY
a	Allen Key	4mm		1PC
b	Bolt	8x75mm		3PCS
c	Screws	M6		3PCS
d	Screws	4mm		3PCS

STEP 2



Turn "c" Screw to a point where 10MM is left showing..

FINISHED

STEP 3

Go back and tighten "d" Screws 100% and then tighten b bolts 100%.

