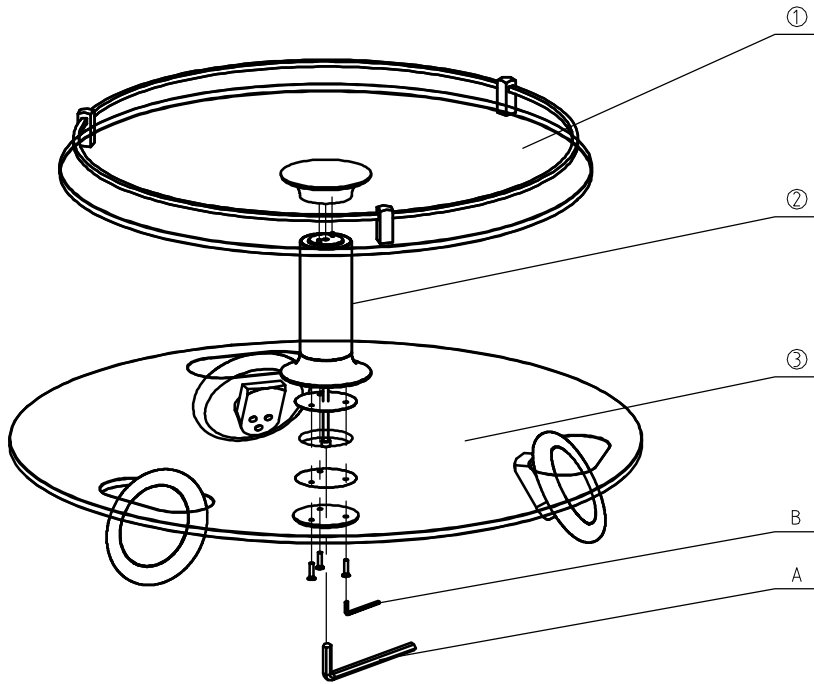
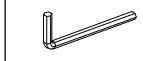


8178-CT

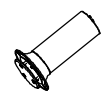


A (M8)X1	B (M6)X1
----------	----------

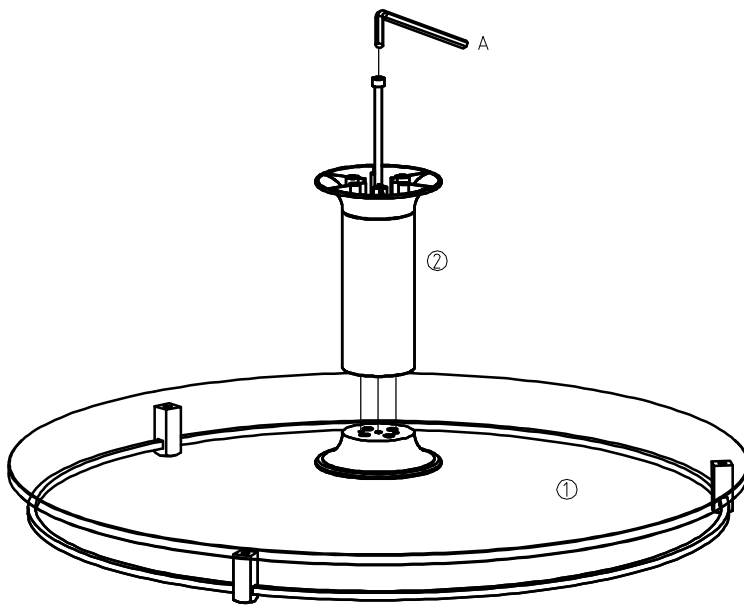


① X1

② X1



③ X1



8187

