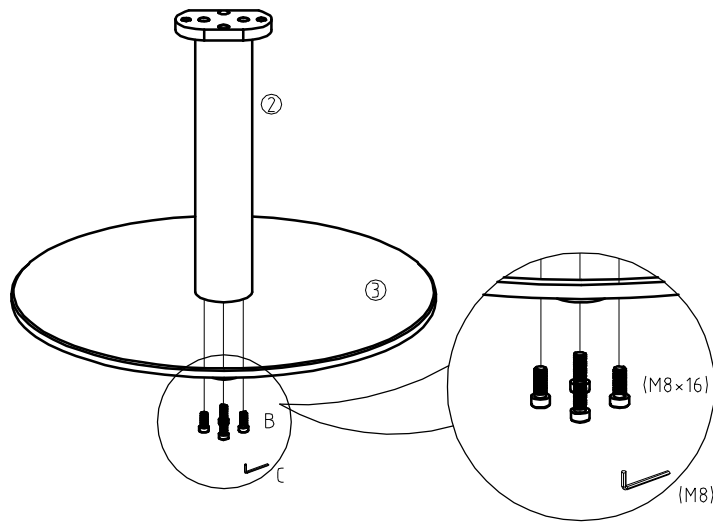


Assembly instruction: 8176-CT

STEP 1



A (M8x12)X2



B (M8x16)X4



C (M8)X1



① X1



② X1



③ X1



STEP 2

