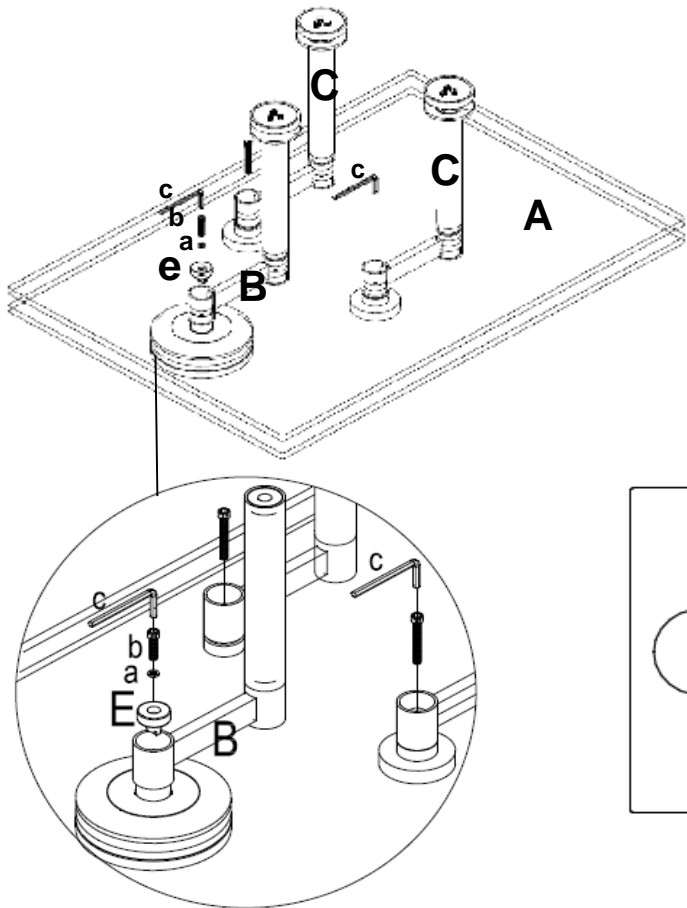


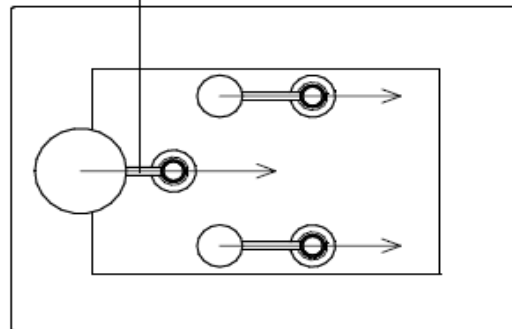
THANK YOU FOR PURCHASING THIS QUALITY PRODUCT.

BE SURE TO CHECK ALL PACKING MATERIAL CAREFULLY FOR SMALL PARTS THAT MAY HAVE COME LOOSE INSIDE THE CARTON DURING TRANSIT.





STEP 1 ① A+C by c ② A+B+e+a+b by c





Noted:The direction of the footpillar should be paralalled.



PART LIST

NO	DESC	SKETCH	QTY
A	GLASS TOP		1 PC
B	FOOTPILLAR (WITH M6 SCREW)		1PC
C	FOOTPILLAR (WITH M8,M6 SCREW)		2 PCS
D	BASE		1 PC

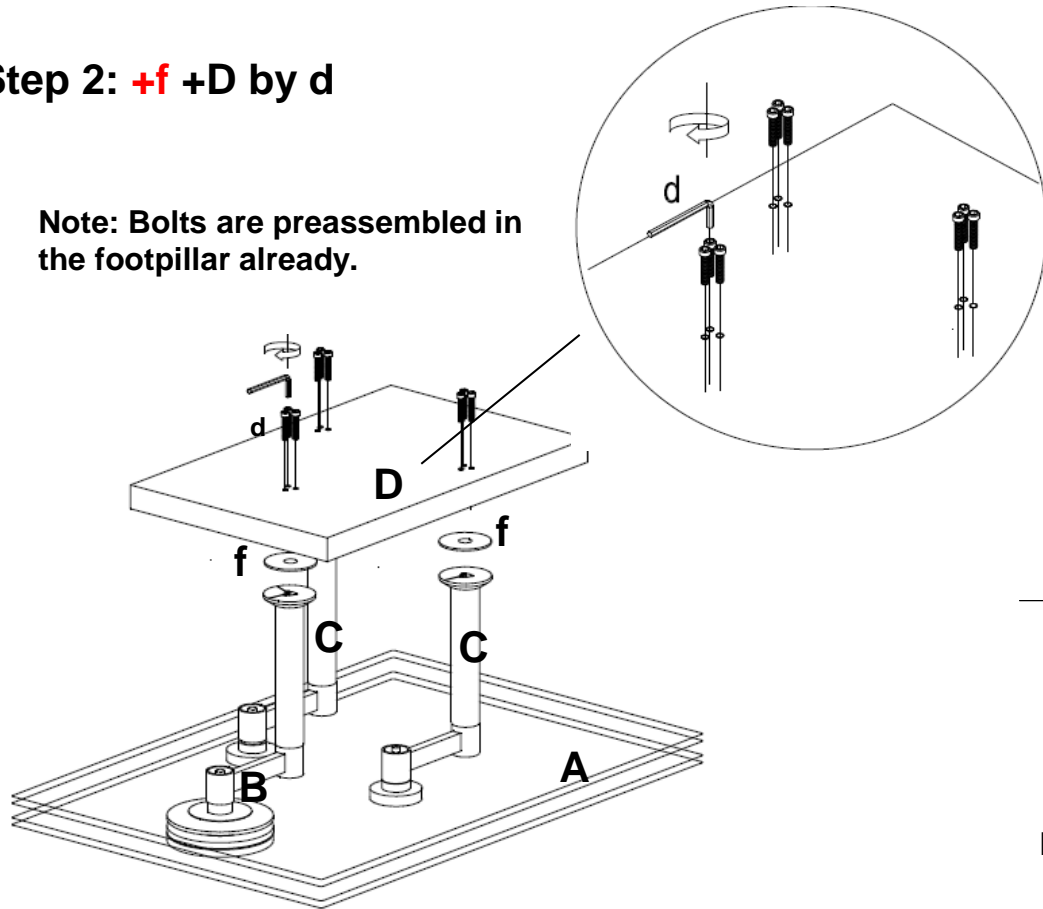
HARDWARE LIST





NO	DESC	SKETCH	QTY
a	M8 WASHER		1 PC
b	M8*35 SCREW		1PC

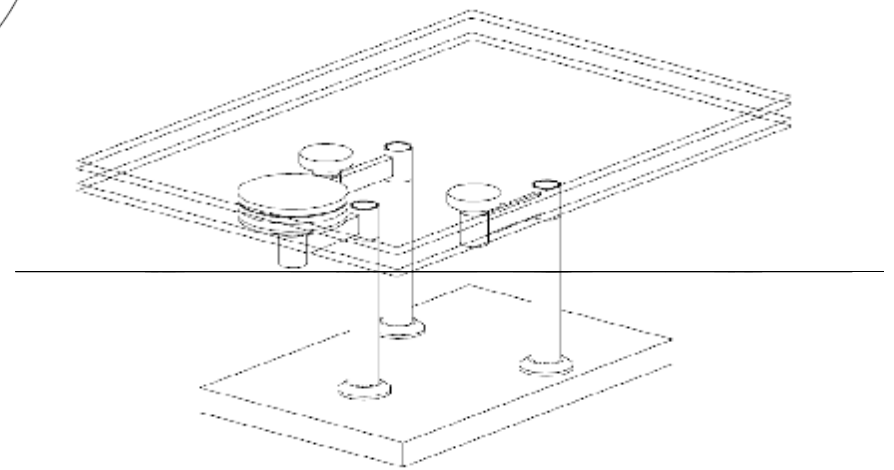
Firstly fix the Footpillar B on the Glass Top by the M8*30 screw which preassembled on the footpillar already according to the direction as showing, then fix the Footpillar C on the Glass top by M8*35 screw .

Step 2: +f +D by d

Note: Bolts are preassembled in the footpillar already.



c	M8 SPANNER		1PC
d	M6 SPANNER		1PC
e	POSITIONING PARTS		1 PC
f	PLASTIC RUBBER		3PCS



FINISHED

MADE IN CHINA