



Chintaly Imports

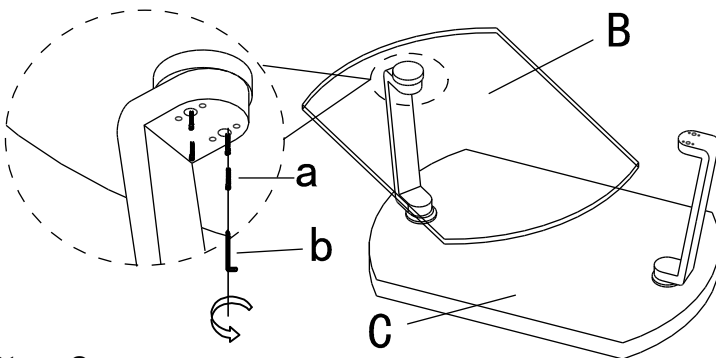
ASSEMBLY INSTRUCTION
ITEM NO. : 8062-CT

THANK YOU FOR PURCHASING THIS QUALITY PRODUCT.

BE SURE TO CHECK ALL PACKING MATERIAL CAREFULLY FOR SMALL PARTS THAT MAY HAVE COME LOOSE INSIDE THE CARTON DURING TRANSIT.

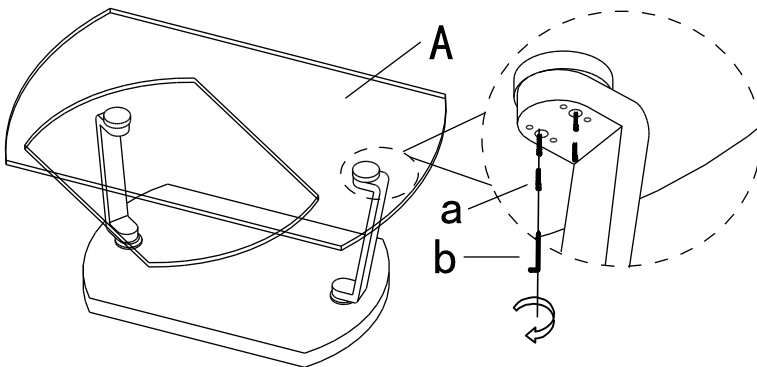
Step 1:

Place the extension top(B) on the lower pillar, and fasten them for 80% tight with screw (a) by #5 allen key (b). Then revolve them a little bit.



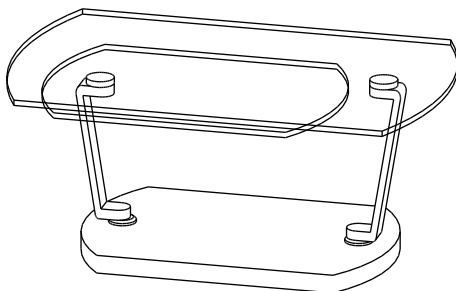
Step 2:

Place the top(A) on the other pillar, and fasten them for 80% tight with screw (a) by #5 allen key (b).

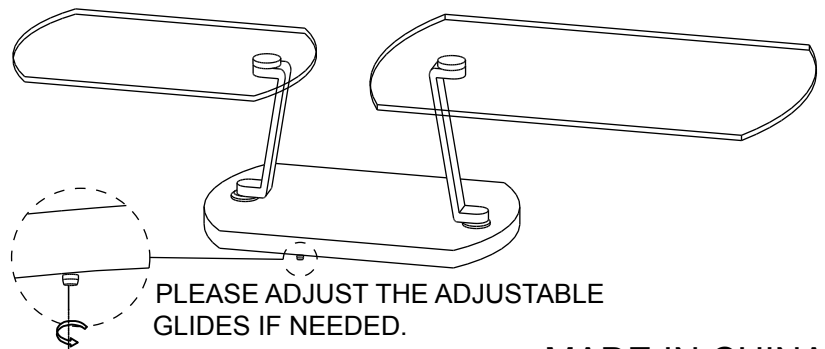


Step 3:

Close the two glass tops and confirm they are align and level, then fasten all screws (a).



FINISHED



MADE IN CHINA

Part List

NO	DESC	SKETCH	QTY
A	Top		1pc
B	Extension		1pc
C	Base		1pc

Hardware list

NO	DESC	SKETCH	QTY
a	Screw		4 pcs
b	#5 Allen Key		1 pc
c	#3 Allen Key		1 pc



ADJUSTMENT INSTRUCTION

If the glass are not level, please follow the INSTRUCTION as below to adjust the glass:

1. Use allen key(b) to loose the screw (a) about 20%.
2. Then use #3 allen key(c) to adjust the adjustable screws which pre-fasthened inside the pillars. The more the adjustable screws in, the more the matching corner of the glass will be raised up. Adjust the 4 adjustable screws on each pillar to level the both glass tops.
3. Then confirm the two glass tops are align and level, then fasthen all screws (a) tightly.

