



Chintaly Imports

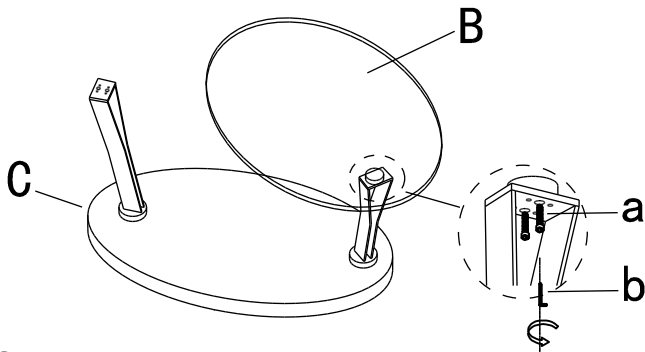
ASSEMBLY INSTRUCTION
ITEM NO. : 8045-CT

THANK YOU FOR PURCHASING THIS QUALITY PRODUCT.

BE SURE TO CHECK ALL PACKING MATERIAL CAREFULLY FOR SMALL PARTS THAT MAY HAVE COME LOOSE INSIDE THE CARTON DURING TRANSIT.

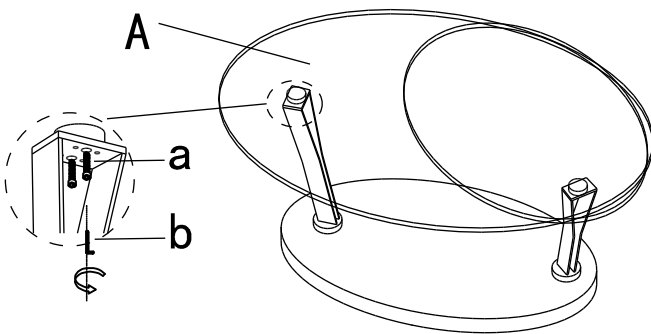
Step1:

Place the extension top(B) on to the lower pillar , then fasthen them for 80% tight with screw (a) by #5 allen key (b). Then revolve the glass a little bit.



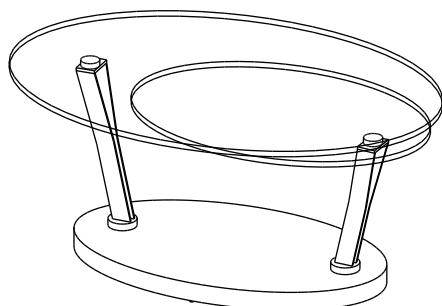
Step 2:

Place the top(A) on to the other pillar and fasthen them for 80% tight with screw (a) by #5 allen key (b).

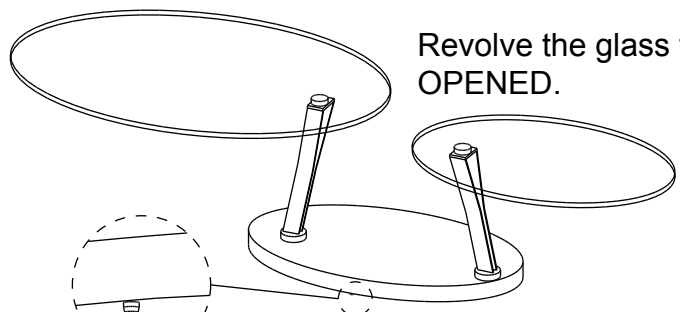


Step 3:

Close the two glass tops and confirm them are align and level, then fasthen all screws (a")



Revolve the glass to CLOSED.



Revolve the glass to OPENED.

PLEASE ADJUST THE ADJUSTABLE GLIDES IF NEEDED.

FINISHED

MADE IN CHINA

Part List

NO	DESC	SKETCH	QTY
A	Top		1pc
B	Extension		1pc
C	Base		1pc

Hardware list

NO	DESC	SKETCH	QTY
a	Screw		4 pcs
b	#5 Allen Key		1 pc
c	#3 Allen Key		1 pc



ADJUSTMENT INSTRUCTION

If the glass are not level, please follow the INSTRUCTION as below to adjust the glass:

1. Use allen key(b) to loose the screw (a) about 20%.
2. Then use #3 allen key(c) to adjust the adjustable screws which pre-fasthened inside the pillars. The more the adjustable screws in, the more the matching corner of the glass will be raised up. Adjust the 4 adjustable screws on each pillar to level the both glass tops.
3. Then confirm the two glass tops are align and level, then fasthen all screws (a) tightly.

