

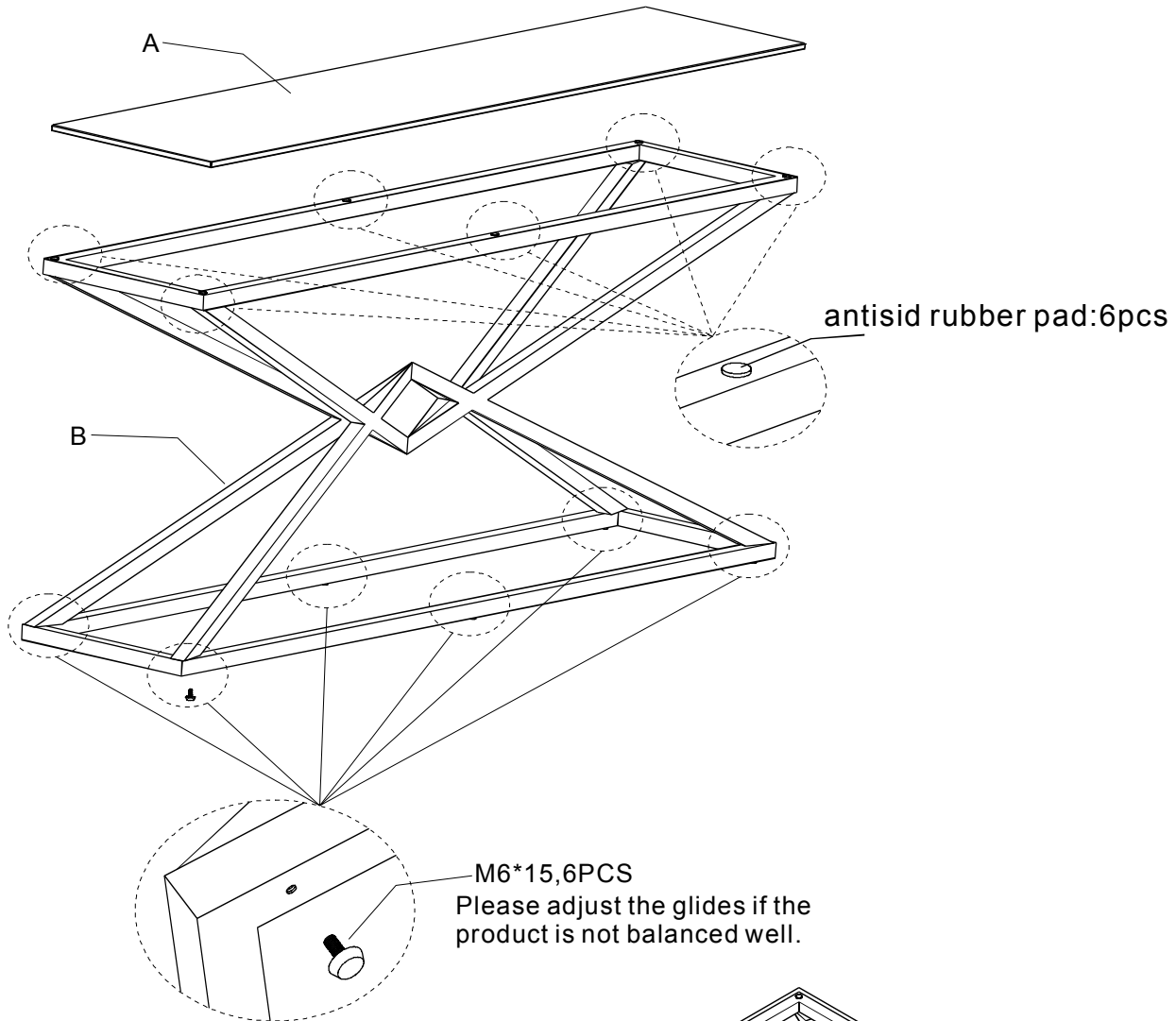


Chintaly Imports.

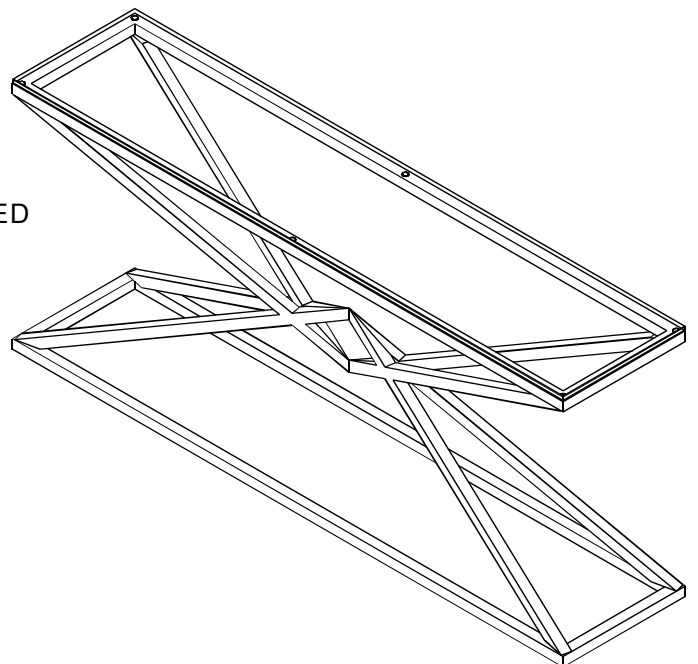
ASSEMBLY INSTRUCTION

ITEM NO.: 7616-ST

THANK YOU FOR PURCHASING THIS QUALITY PRODUCT.  
BE SURE TO CHECK ALL PACKING MATERIAL CAREFULLY FOR SMALL PARTS  
THAT MAY HAVE COME LOOSE INSIDE THE CARTON DURING TRANSIT.





FINISHED



MADE IN CHINA

PART LIST

NO.	DESC	SIZE(MM)	SKETCH	QTY
A	TOP	1800*400*12		1PC
B	BASE	1800*400*760		1PC