



Chintaly Imports.

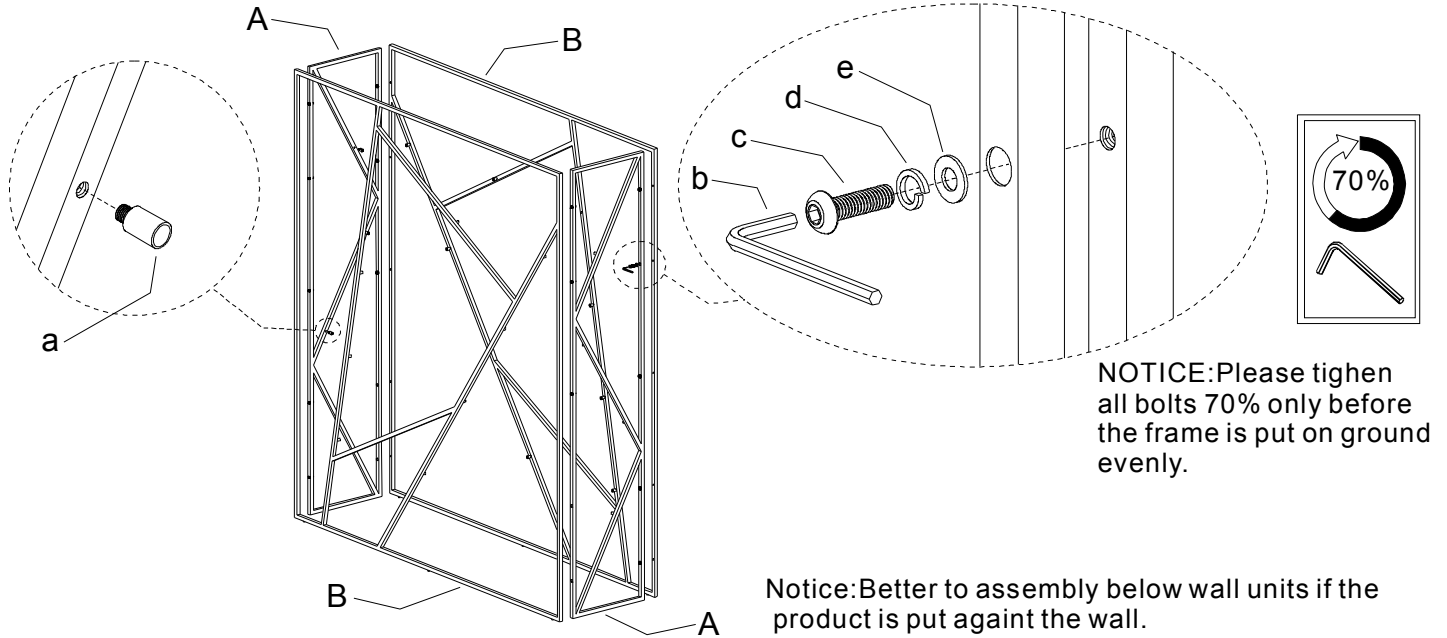
ASSEMBLY INSTRUCTION

ITEM NO.:74104-BKS

THANK YOU FOR PURCHASING THIS QUALITY PRODUCT.

BE SURE TO CHECK ALL PACKING MATERIAL CAREFULLY FOR SMALL PARTS

THAT MAY HAVE COME LOOSE INSIDE THE CARTON DURING TRANSIT.

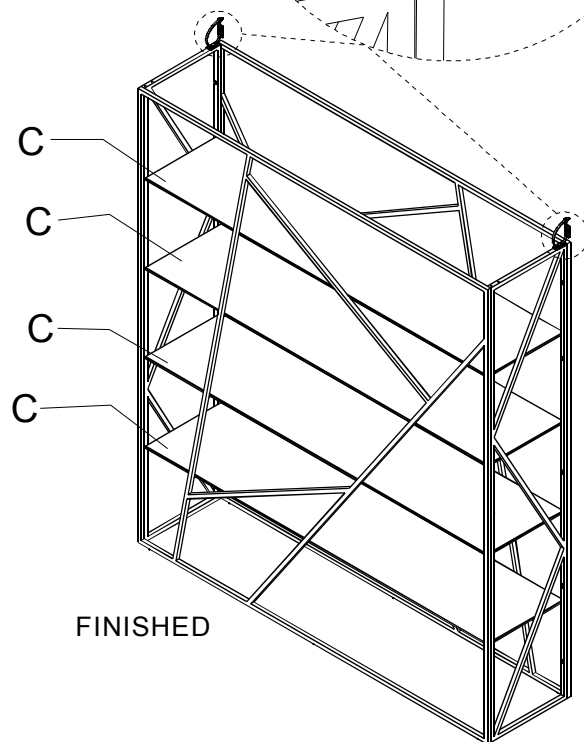
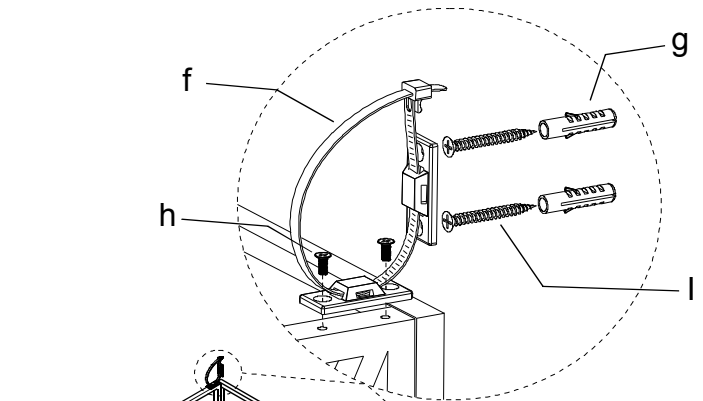


PART LIST

NO.	DESC	SIZE(MM)	SKETCH	QTY
A	SIDE FRAMES	1800*350*15		2PCS
B	FRONT & BACK-FRAME	1800*1600*15		2PCS
C	GLASS	1568*348*8		4PCS

HARDWARE LIST

NO.	DESC	SIZE(MM)	SKETCH	QTY
a	SHELF SUPPORTER	Φ10*20		26PCS
b	SPANNER	M6		1PC
c	SCREW	M6*25		20PCS
d	SPRING WASHER	Φ6.1*1.6		20PCS
e	FLAT WASHER	Φ12*Φ6*1mm		20PCS
f	WALL UNIT			2PCS
g	SET SCREW	Φ8*35		4PCS
h	SCREW	M4*8		4PCS
i	SCREW	4mm		4PCS



MADE IN CHINA