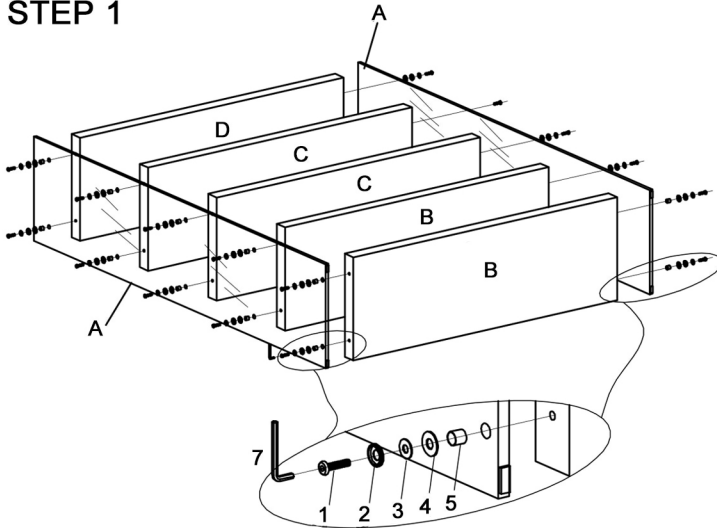
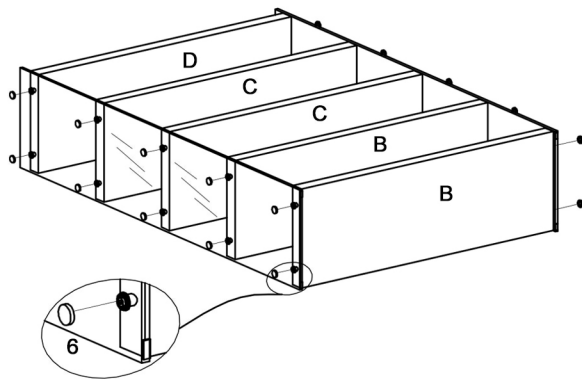
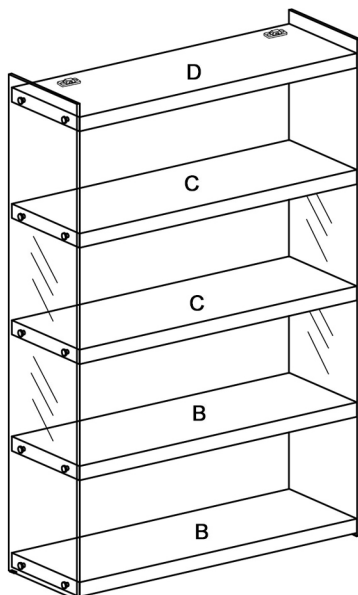
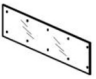





THANK YOU FOR PURCHASING THIS QUALITY PRODUCT.
 BE SURE TO CHECK ALL PACKING MATERIAL CAREFULLY FOR SMALL PARTS THAT MAY HAVE COME LOOSE INSIDE THE CARTON DURING TRANSIT.








STEP 1


Fasten B, C and D to E, with (1), (2), (3), (4), (5) by (7).
 Repeat the same step to other 19 screw holes.

STEP 2

STEP 3

PART LIST

NO	DECS	SIZE (MM)	SKETCH	QTY
A	GLASS BASE	1800*400*12		2PCS
B	SHELF 1	1176*395*52		2PCS
C	SHELF 2	1176*396*52		2PCS
D	SHELF 3	1176*396*52		1PC

HARDWARE LIST

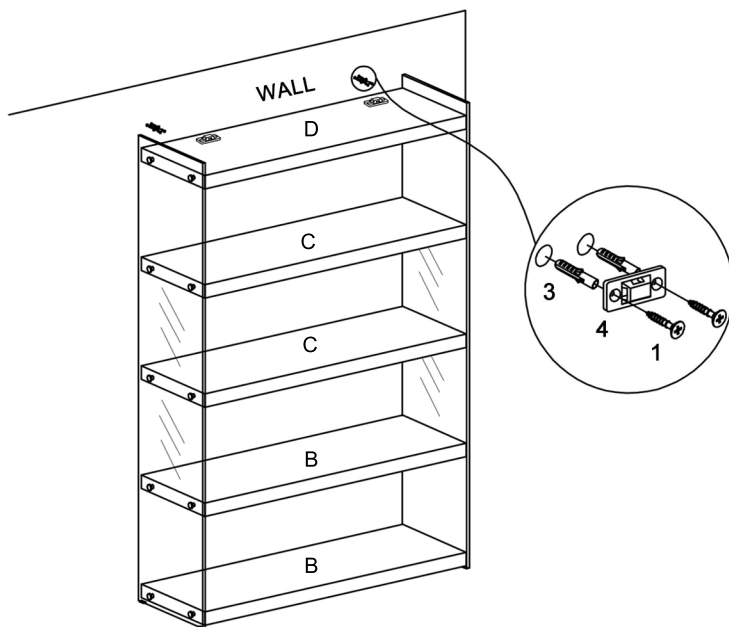
NO	DECS	SIZE (MM)	SKETCH	QTY
1	SCREW	M8*35		20PCS
2	GASKET	Φ8		20PCS
3	FLAT WASHER	Φ17*1.5*Φ8		20PCS
4	CUSHION	Φ19*1.0*Φ7		20PCS
5	GASKET	M8*50		20PCS
6	DECORATION CAP	M18		20PCS
7	ALLEN KEY	M5		1PC

ANTI-TIP STRAP INSTALLATION





ITEM NO: 74101-BKS

STEP 1

Locate and mark on the wall behind the bookcase. Position (4)s on the wall and drill holes. put (3) in the hole then use (1) to attach (4), the panel to the wall.



HARDWARE LIST

NO	DECS	SIZE (MM)	SKETCH	QTY
1	SCREW	M4*25		4PCS
2	CABLE TIES			2PCS
3	EXPANSION SCREW			4PCS
4	MOUNTING PANEL			2PC

STEP 2

Move the bookcase to the marked position, then tie them up and fasten (2) to ensure the bookcase is well-attached to the wall.

