



THANK YOU FOR PURCHASING THIS QUALITY PRODUCT.

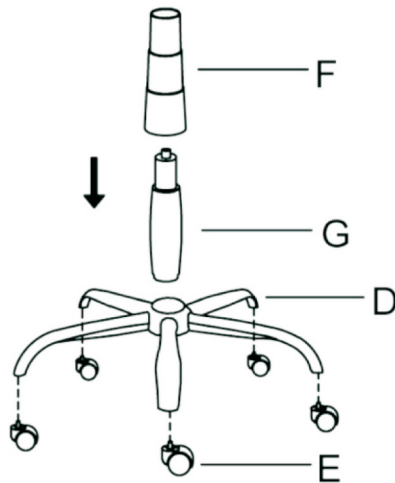
BE SURE TO CHECK ALL PACKING MATERIAL CAREFULLY FOR SMALL PARTS THAT MAY HAVE COME LOOSE INSIDE.

THE CARTON DURING TRANSIT.

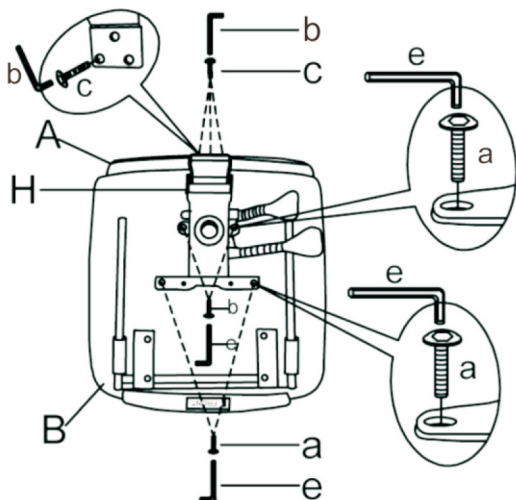
PART LIST

NO	DESC	SIZE (MM)	SKETCH	QTY
A	BACK	750X510 X110		1 PC
B	SEAT	520X540 X110		1 SET
	ARMREST	370X215 X115		
C	ARMREST	460X300 X75		1 SET
D	STARBASE	R350X100		1 PC
E	CASTORS	80X60 X55		5 PCS
F	GASLIFT COVER	R30XL100		1 PC
G	GASLIFT	R25XL260		1 PC
H	SWIVEL TRAY	350X285 X115		1 PC
I	PILLOW	410X220 X80		1 PC

STEP 1



STEP 2



HARDWARE LIST

NO	DESC	SIZE (MM)	SKETCH	QTY
a	SCREW	M6X20		4 PCS
b	SPANNER	M8		1 PCS
c	SCREW	M8X25		3 PCS
d	SCREW	M8X45		4 PCS
e	SPANNER	M6		1 PC
f	SCREW COVER	R9X8		4 PCS

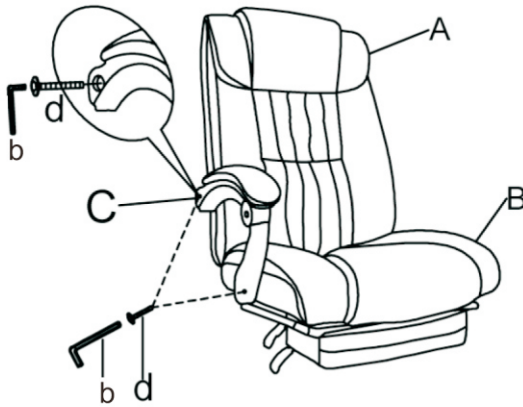
MADE IN CHINA



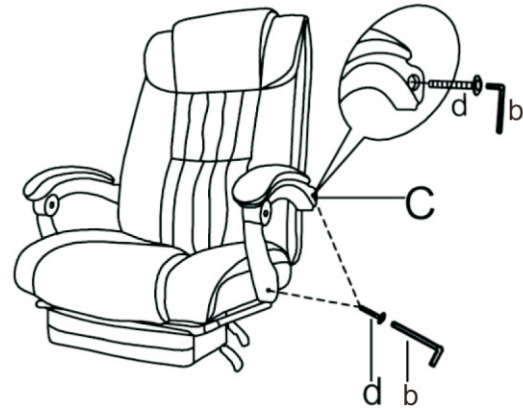
THANK YOU FOR PURCHASING THIS QUALITY PRODUCT.

BE SURE TO CHECK ALL PACKING MATERIAL CAREFULLY FOR SMALL PARTS THAT MAY HAVE COME LOOSE INSIDE.  
THE CARTON DURING TRANSIT.

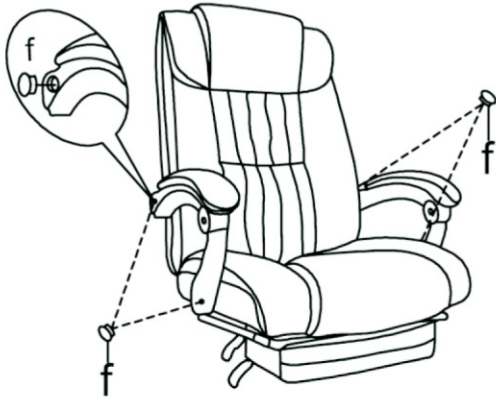
STEP 3



STEP 4



STEP 5



STEP 6



FINISH

