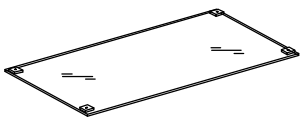

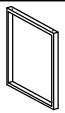



6931-DSK-LRG/CRN/SML & SET

Assembly Instruction

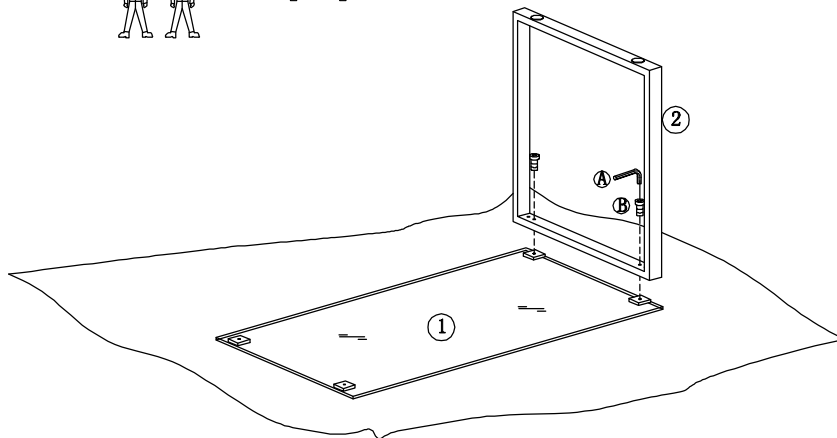
MODEL : PIN 03

BEFORE YOU START CHECK ALL THE COMPONENTS

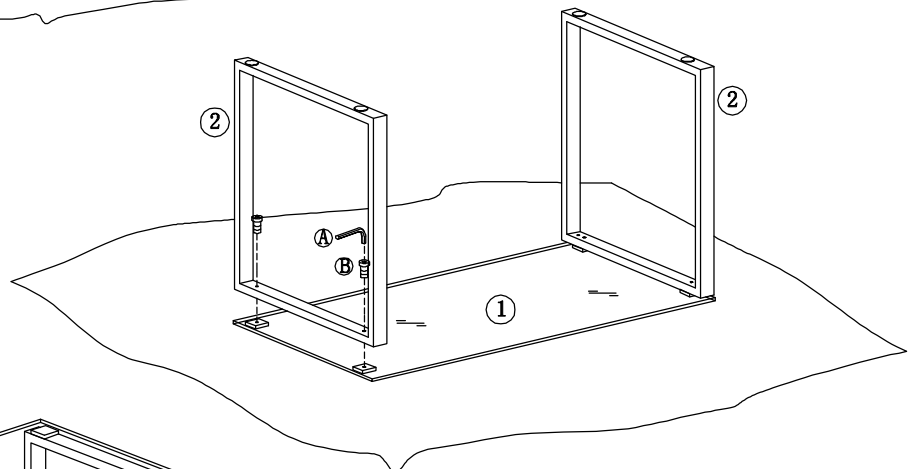
PRODUCT COMPONENTS				HARDWARE LIST			
1		1300x700x10mm	*1	A		M8*30	*4
2		700x728x50mm	*2	B		5mm	*1



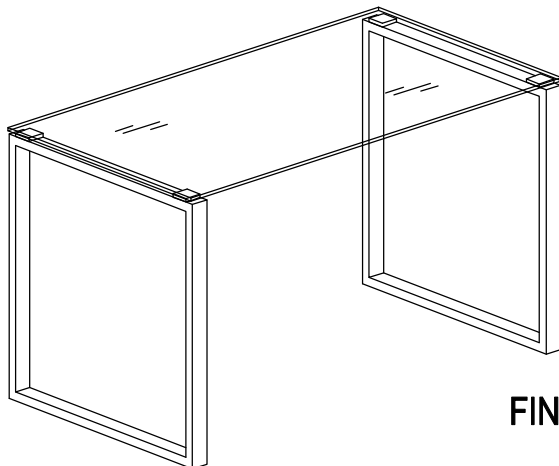
Two people to lift



STEP 1



STEP 2

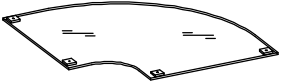

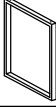



FINISH

Assembly Instruction

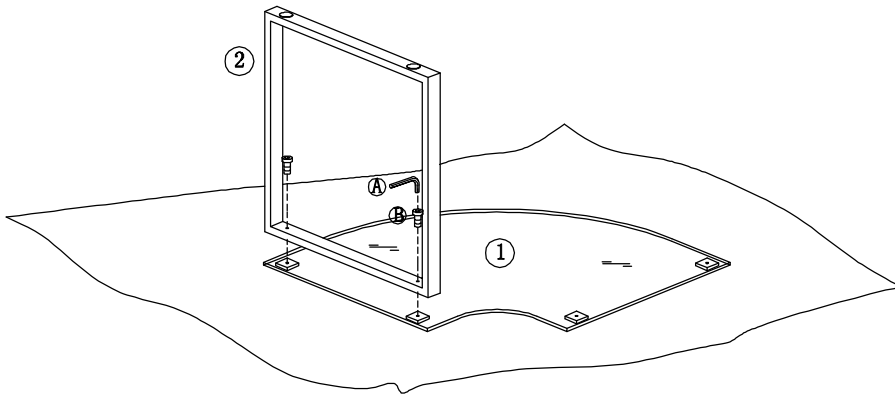
MODEL : PIN 02

BEFORE YOU START CHECK ALL THE COMPONENTS

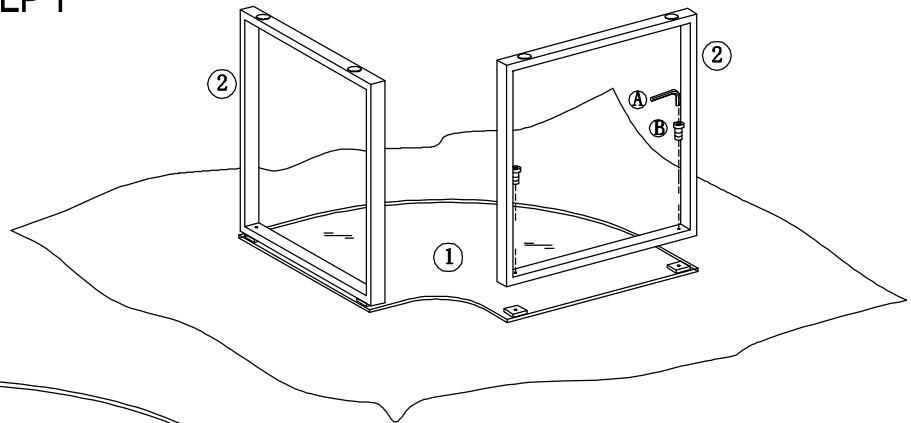
PROUDT COMPONENTS				HARDWARE LIST			
1		1000x1000x10mm	*1	A		M8*30	*4
2		700x728x50mm	*2	B		5mm	*1



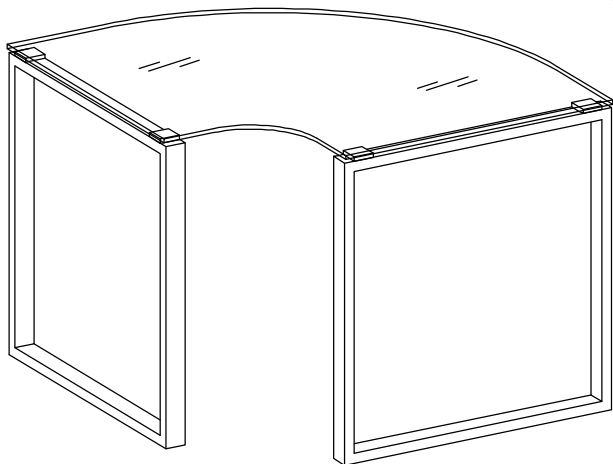
Two people to lift



STEP 1



STEP 2

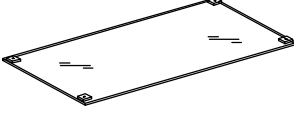

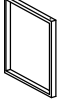



FINISH

Assembly Instruction

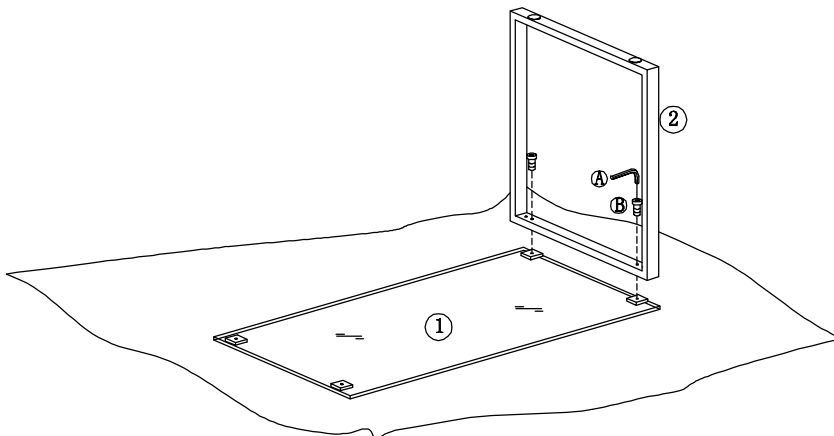
MODEL : PIN 01

BEFORE YOU START CHECK ALL THE COMPONENTS

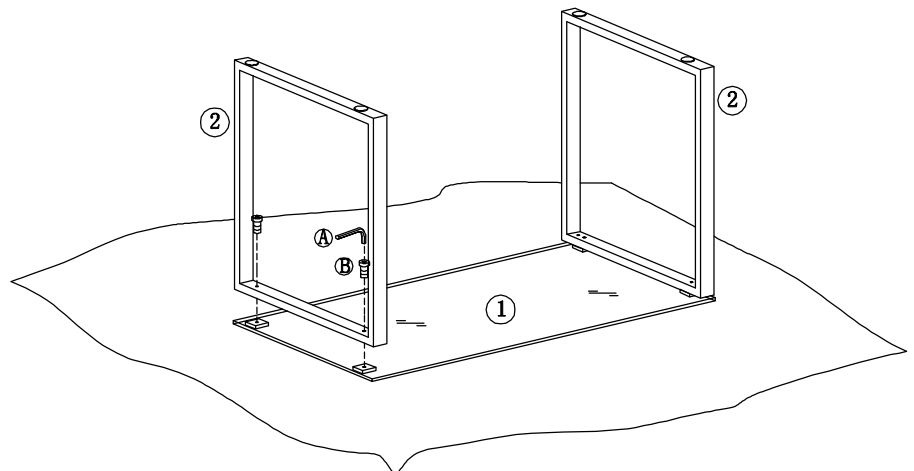
PRODUDT COMPONENTS				HARDWARE LIST			
1		1000x700x10mm	*1	A		M8*30	*4
2		700x728x50mm	*2	B		5mm	*1



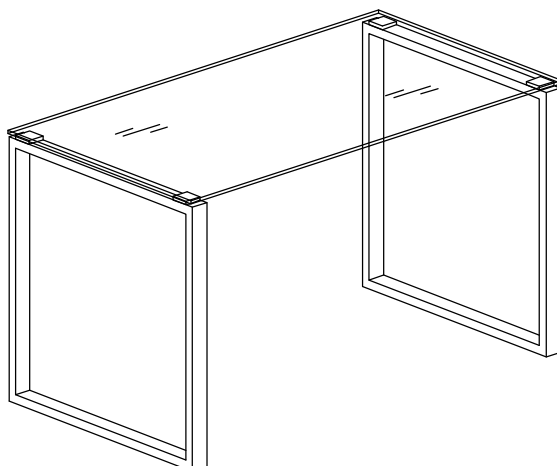
Two people to lift



STEP 1



STEP 2







FINISH

Assembly Instruction

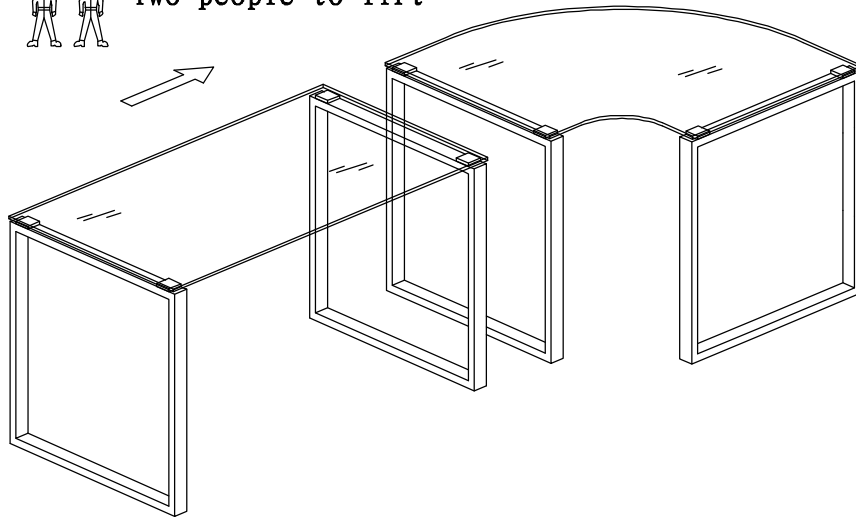
MODEL : PIN 02

BEFORE YOU START CHECK ALL THE COMPONENTS

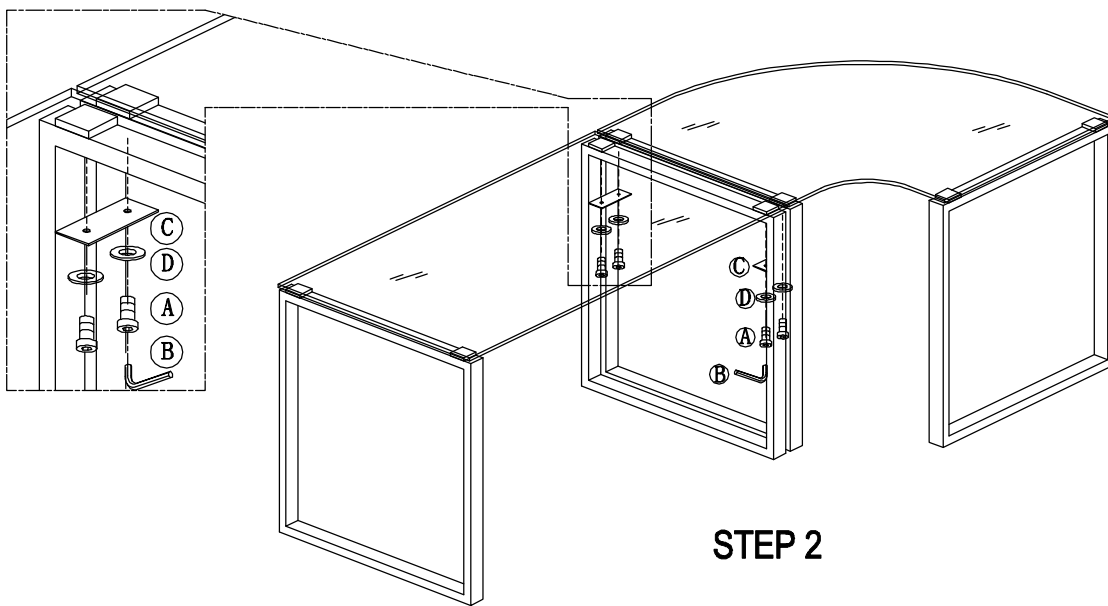
PROUDT COMPONENTS				HARDWARE LIST			
C		115x47x3	*4	A		M8*35	*8
D		Ø8x1.2	*8	B		5mm	*1



Two people to lift



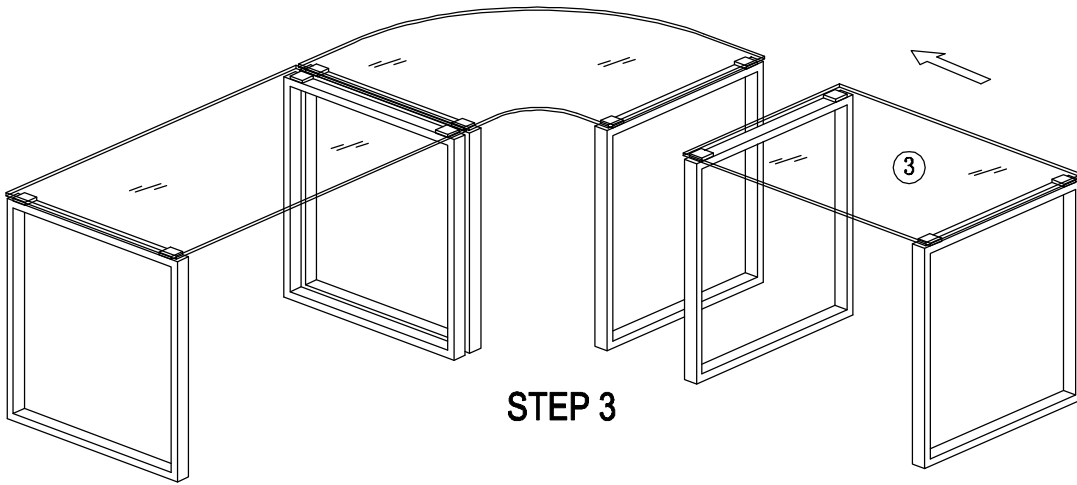
STEP 1



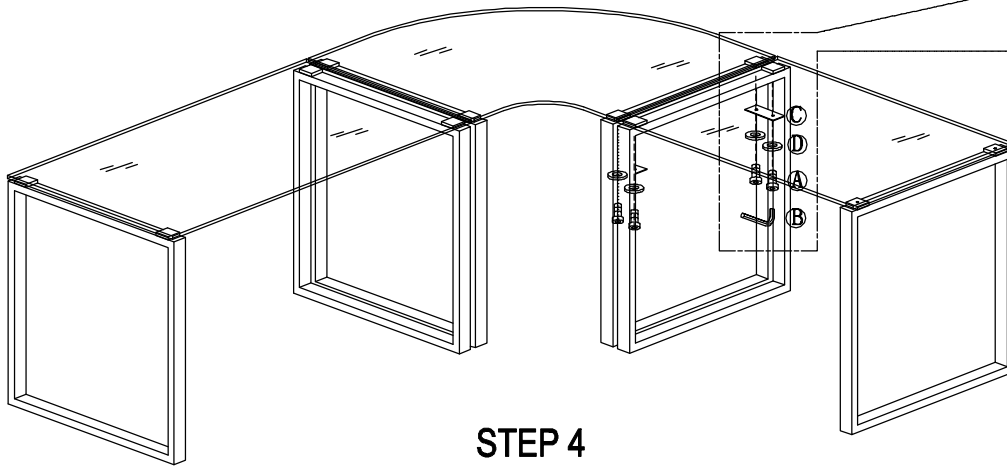
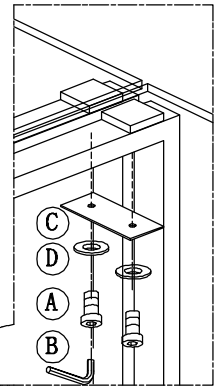
STEP 2



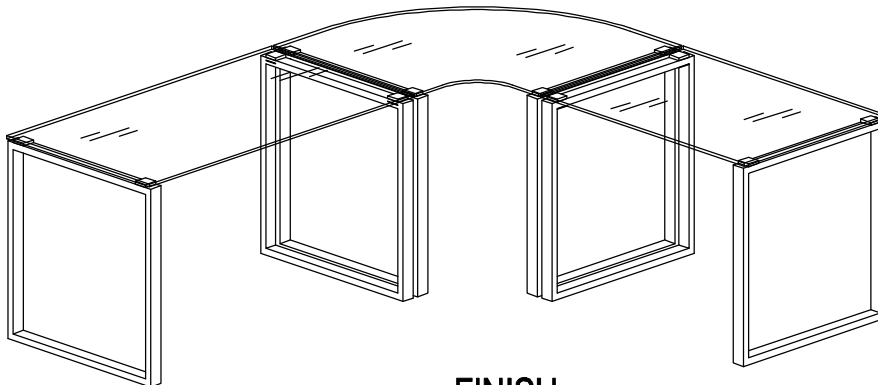
Two people to lift



STEP 3



STEP 4



FINISH