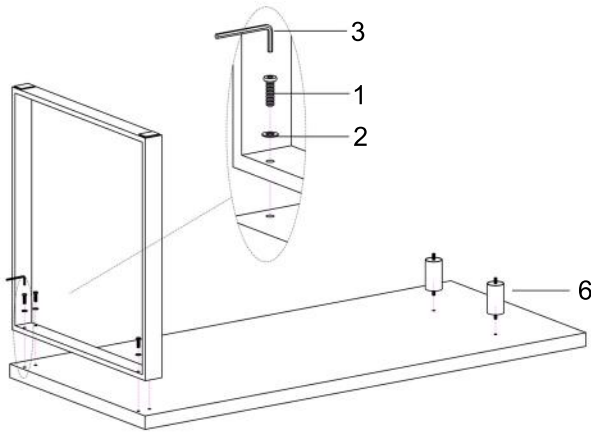



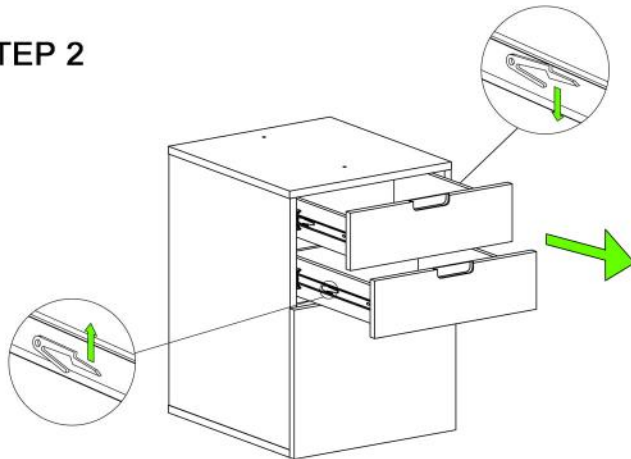


THANK YOU FOR PURCHASING THIS QUALITY PRODUCT.
 BE SURE TO CHECK ALL PACKING MATERIAL CAREFULLY FOR SMALL PARTS THAT MAY HAVE COME LOOSE INSIDE THE CARTON DURING SHIPMENT.







STEP 1

PART LIST

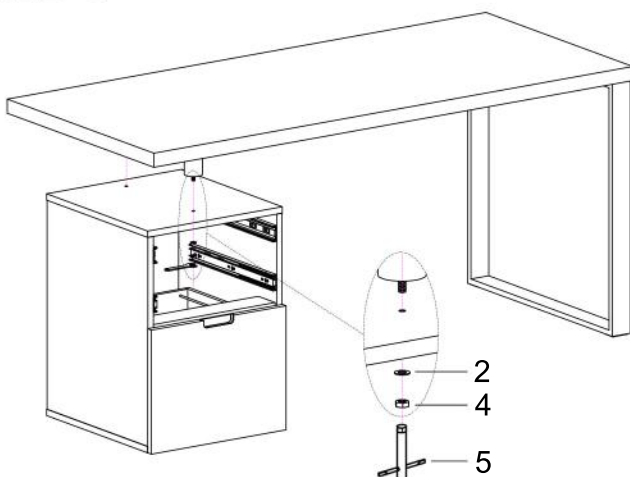
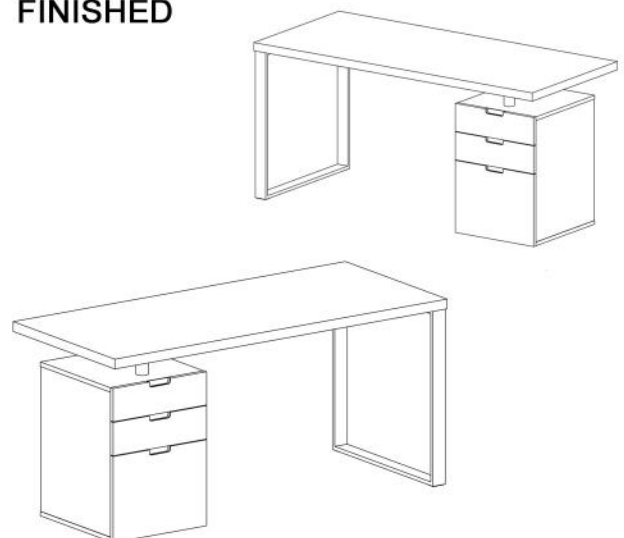
NO	DECS	SIZE (MM)	SKETCH	QTY
A	TABLE TOP	1600*700*50		1PC
B	TABLE LEG	690*60*717		1PC
C	CABINET	500*450*635		1PC

STEP 2


Find the small clips on the left and right slides of the drawer, lift the left clip up and press the right clip down at the same time, then pull out the drawers.

HARDWARE LIST

NO	DECS	SIZE (MM)	SKETCH	QTY
1	SCREW	M8*35		4PCS
2	FLAT WASHER	Φ19*2*Φ8		6PCS
3	ALLEN KEY	M5		1PC
4	NUT	M8		2PCS
5	HEXAGON SOCKET	14#		1PC
6	STAINLESS STEEL PIPE WITH BOLT	Φ50*86		2PCS

STEP 3

FINISHED


This desk is reversible, assemble it the way you want it to be.