



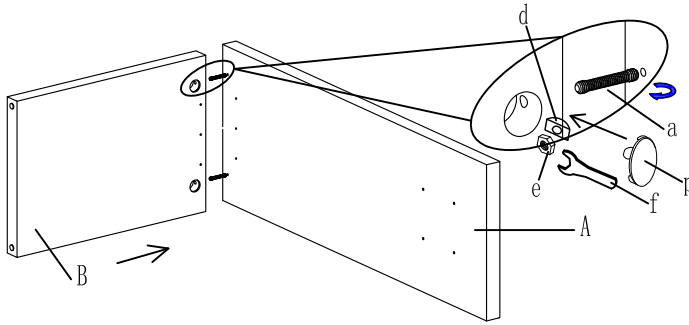
Chintaly Imports

Assembly Instruction

ITEM NO. : 6915-DSK

Thank you for purchasing this quality product. Be sure to check all packaging material carefully for small parts that may have come loose inside the carton during shipment.

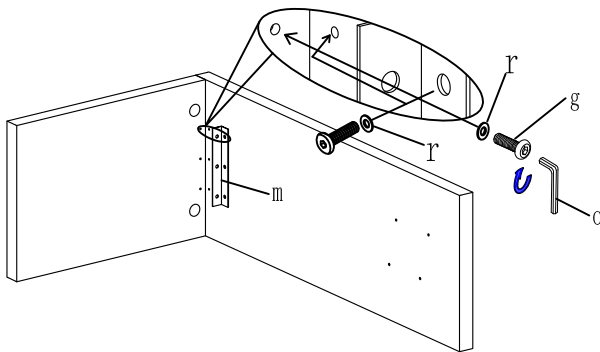
STEP1:
REVOLVE (a) to (A), INSERT (B) to (A), FASTEN THEM WITH (d), (e) BY (f) THEN COVER THE HOLE BY (p).



PARTS LIST:

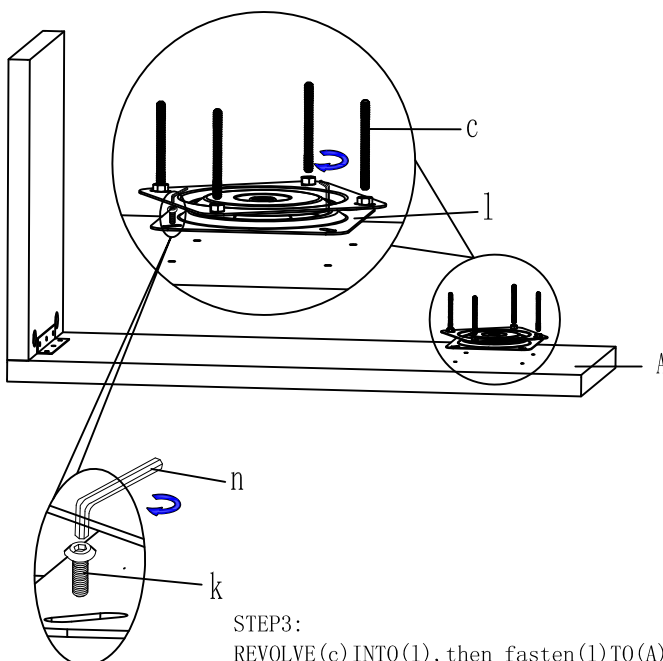
NO	DESCRIPTION	SKETCH	QTY
A	Top	1350*500*50	1PC
B	SIDE PANEL	705*500*50	1PC
C	SHELF BOARD-1	1200*390*50	1PC
D	SHELF BOARD-2	1200*390*50	1PC
E	SHELF BOARD-3	1200*390*50	1PC
F	UPRIGHT BOARD	290*246*50	4PCS
G	SEPARATE BOARD		1PC

STEP2:
FASTEN (m) TO (A) AND (B) WITH (g), WITH (g), BY (o).



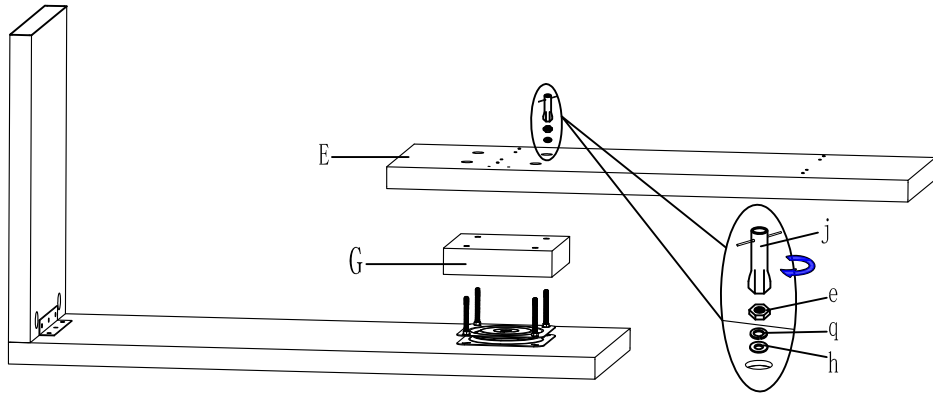
HARDWARE LIST:

NO	DESCRIPTION	SKETCH	QTY
a	LONG BOLT-1	M8X70	2PCS
b	LONG BOLT-2	M8X615	4PCS
c	LONG BOLT-3	M8X100	4PCS
d	NUT-1		2PCS
e	NUT-2	M8	10PCS
f	WRENCH	14#	1PC
g	SCREW-1	M6*16	6PCS
h	WOODEN TENON	$\varnothing 8 \times 30$	19PCS
i	FLAT WASHER	$\varnothing 22 \times \varnothing 10$	8PCS
j	HEXAGON SOCKET	14#	1PC
k	SCREW-2	M8*16	4PCS
l	SWIVEL		1PC
m	METAL BAR	35x35x250x2.5	1PC
n	ALLEN KEY-1	5#	1PC
o	ALLEN KEY-2	4#	1PC
p	PLASTIC CAP		2PCS
q	SPRINC WASHER		8PCS
r	FLAT WASHER	m6* $\varnothing 16$	6PCS

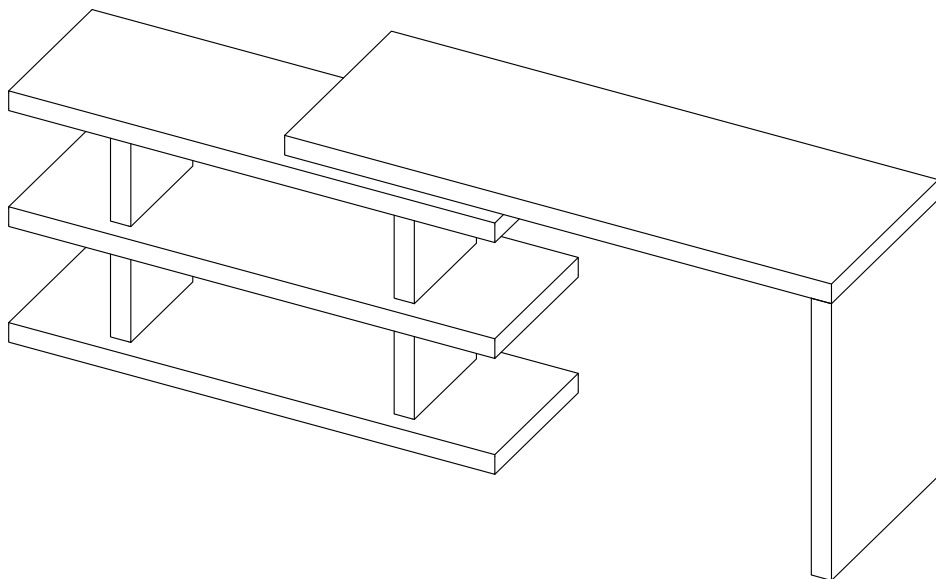
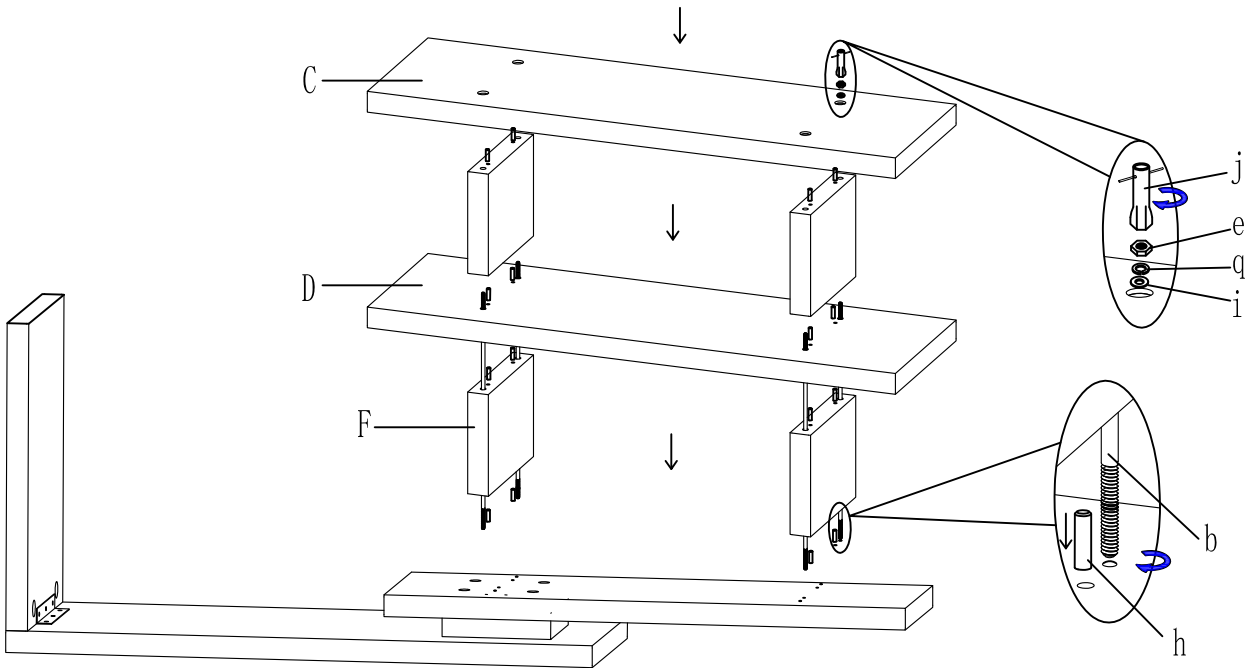


STEP3:
REVOLVE (c) INTO (l), then fasten (l) TO (A) and (K) BY (n).

STEP4:



STEP5:



MADE IN CHINA