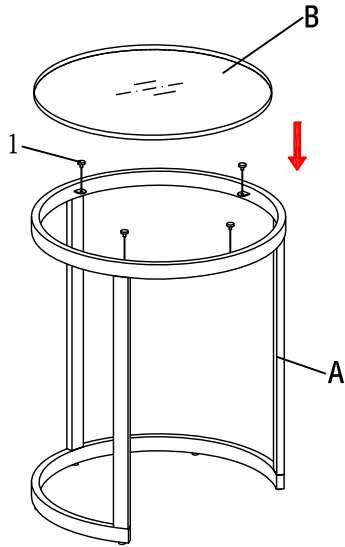




THANK YOU FOR PURCHASING THIS QUALITY PRODUCT.
BE SURE TO CHECK ALL PACKING MATERIAL CAREFULLY FOR SMALL PARTS THAT MAY HAVE
COME LOOSE INSIDE THE CARTON DURING TRANSIT.

Step 1



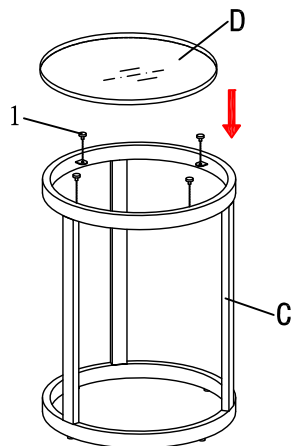
PARTS LIST:

NO	DESC	SIZE (mm)	SKETCH	QTY
A	METAL FRAME	∅500x600		1PC
B	GLASS TOP	∅468xt10		1PC
C	METAL FRAME	∅380x500		1PC
D	GLASS TOP	∅348xt10		1PC

HARDWARE LIST:

NO	DESC	SIZE (mm)	SKETCH	QTY
1	NON-SLIP DISK	∅14		8PCS

Step 2



FINISH

